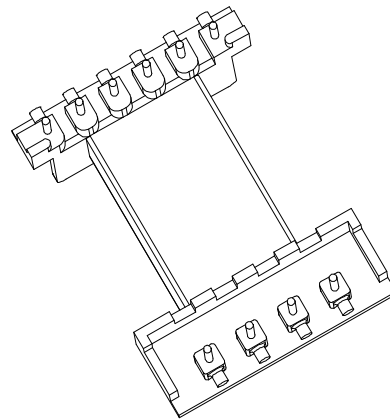
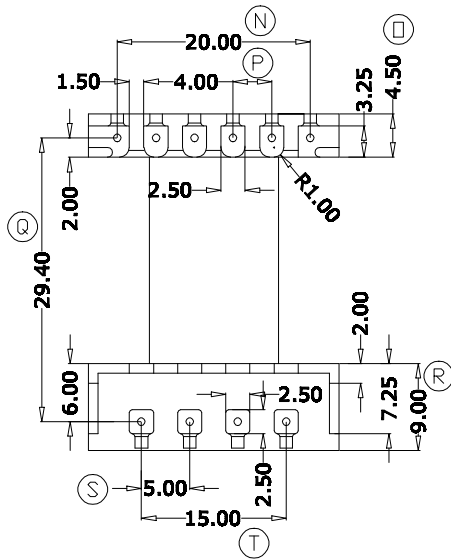
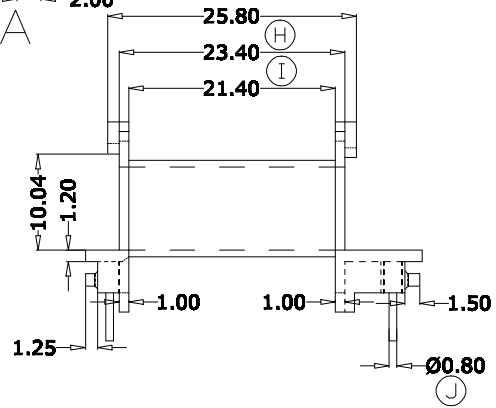
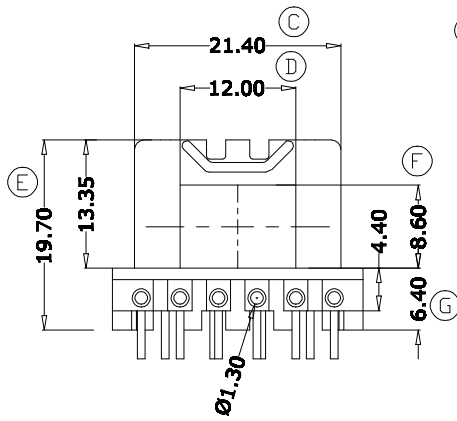
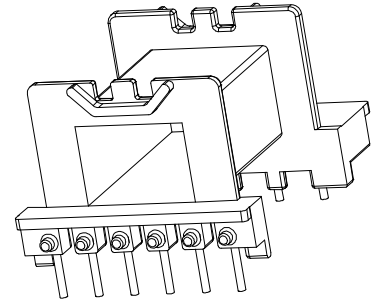
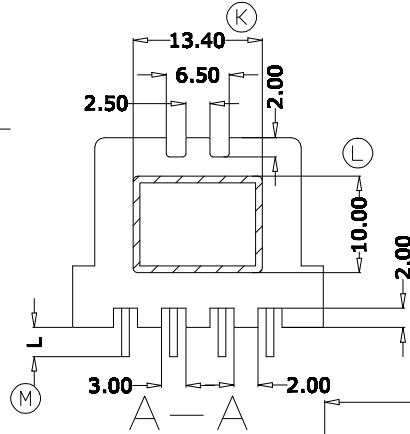
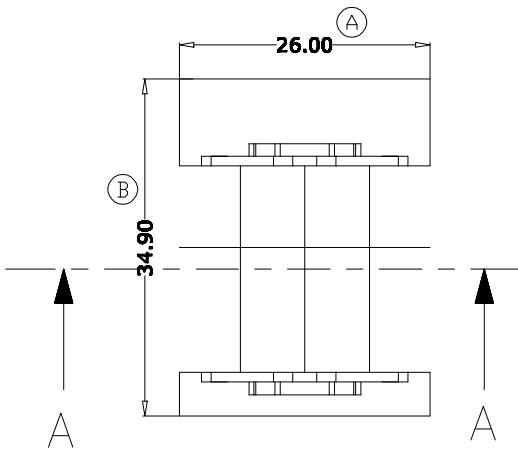


ZX-30R



REV.	REVISIONS REC.		DATE	REV.	REVISIONS REC.		DATE
1				4			
2				5			
3				6			
DRAWN & DRAFTED BY		LIU WEI QIANG	TOLERANCES		ANGLE: $\pm 1^\circ$		TITLE: EFD-30(6+4P)
CHECKED & APPROVED BY		MA BU JIAN	$0 < L \leq 4 \pm 0.1$ $4 < L \leq 16 \pm 0.2$ $16 < L \leq 63 \pm 0.3$		UNIT: MM		BOBBIN MATERIAL: PM-9820
			pin pitch ± 0.2		SCALE:		UL REC. UL 94V-0
					PIN MATERIAL: CP WIRE		PIN TENSION LOAD: 1.2KG MIN
					DATE: 2015.06.10		DRAWING NO. ZX-30R
							REV. A01



智信电子塑胶有限公司
ZHI XIN ELECTRONICS PLASTIC CO., LTD.
 TEL:0769-86389901-2 FAX:0769-86389903

