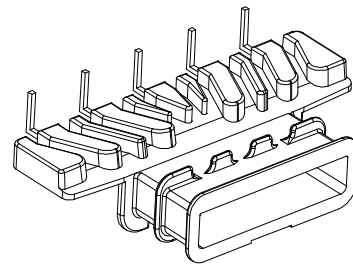
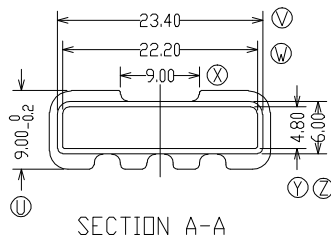
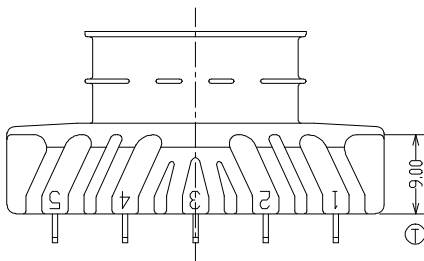
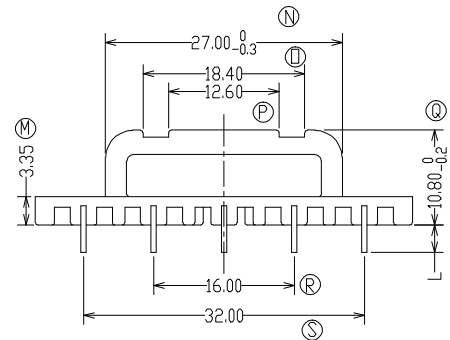
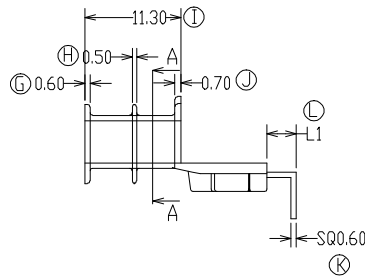
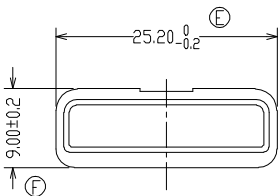
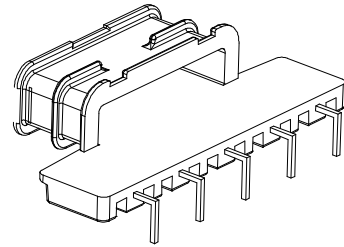
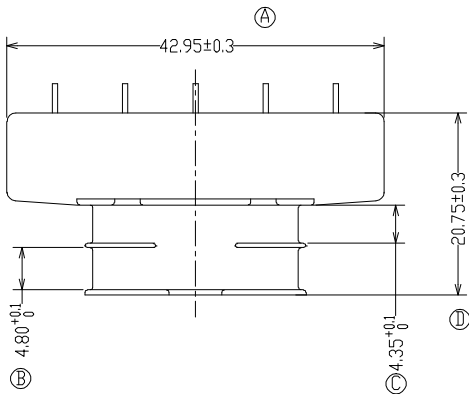


ZX-43B1

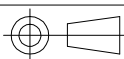


对应ZX-43B

REV.	REVISIONS REC.		DATE	REV.	REVISIONS REC.		DATE
1				4			
2				5			
3				6			
DRAWN & DRAFTED BY	LIU WEI QIANG	TOLERANCES		ANGLE:	TITLE: EFD-43(5P)		
CHECKED & APPROVED BY	LI JUN	0<L≤4 ±0.1	pin pitch	±1°	BOBBIN MATERIAL: PM-9820		UL REC. UL 94V-0
		4<L≤16 ±0.2	±0.2	UNIT: MM	PIN MATERIAL: CP WIRE		PIN TENSION LOAD: 0.8KG MIN
		16<L≤63 ±0.3		SCALE:	DATE: 2010.07.06	DRAWING NO. ZX-43B1	REV. A02



智信电子塑胶有限公司
ZHI XIN ELECTRONICS PLASTIC CO., LTD.
TEL:0769-86389901-2 FAX:0769-86389903



DATE: 2010.07.06

DRAWING NO. ZX-43B1

REV. A02