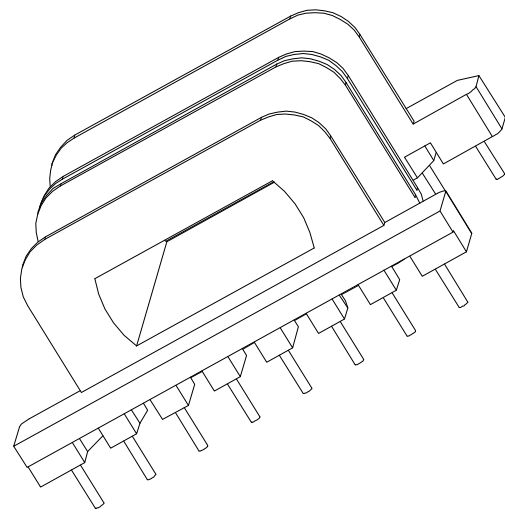
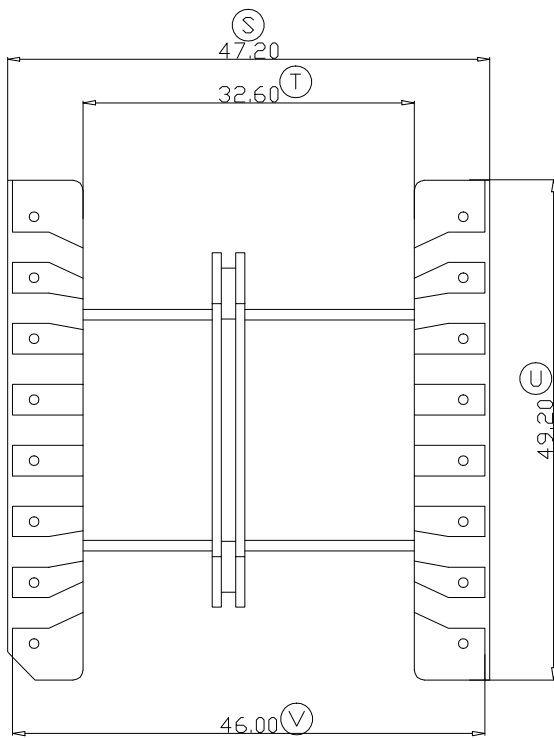
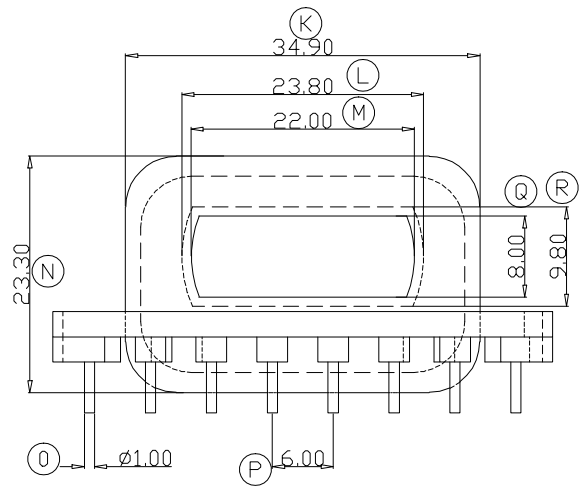
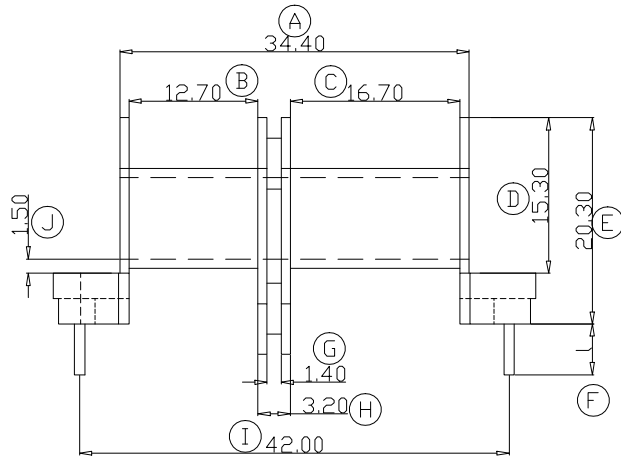


ZX-50A



对应的ZX-50A1

REV.	REVISIONS REC.		DATE	REV.	REVISIONS REC.		DATE
1				4			
2				5			
3				6			
DRAWN & DRAFTED BY		LIU WEI QIANG	TOLERANCES		ANGLE:	TITLE:	
CHECKED & APPROVED BY		MA BU JIAN	$0 < L \leq 4 \pm 0.1$ $4 < L \leq 16 \pm 0.2$ $16 < L \leq 63 \pm 0.3$	pin pitch ± 0.2	$\pm 1^\circ$	EFD-50(8+8P)2S	
				UNIT:	MM	BOBBIN MATERIAL:	PHENOLIC
				SCALE:		PIN MATERIAL:	CP WIRE
						UL REC.	UL 94V-0
						PIN TENSION LOAD:	1.5kg MIN.
智信电子塑胶有限公司 ZHI XIN ELECTRONICS PLASTIC CO., LTD. TEL:0769-86389901-2 FAX:0769-86389903				DATE:	2005.03.19	DRAWING NO.	ZX-50A
						REV.	A01