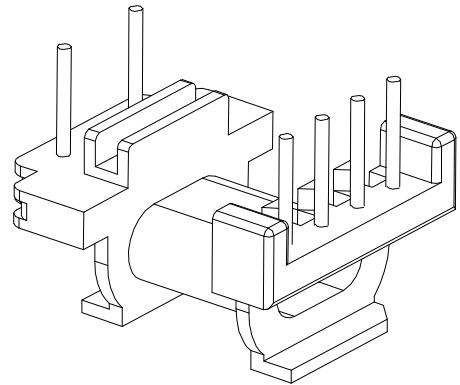
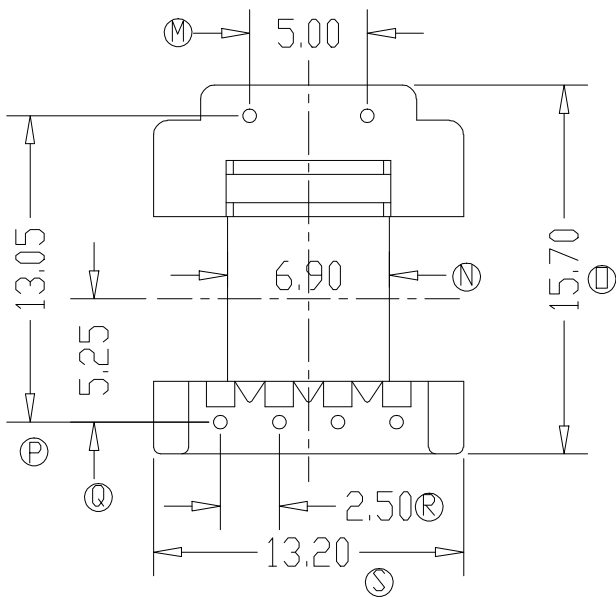
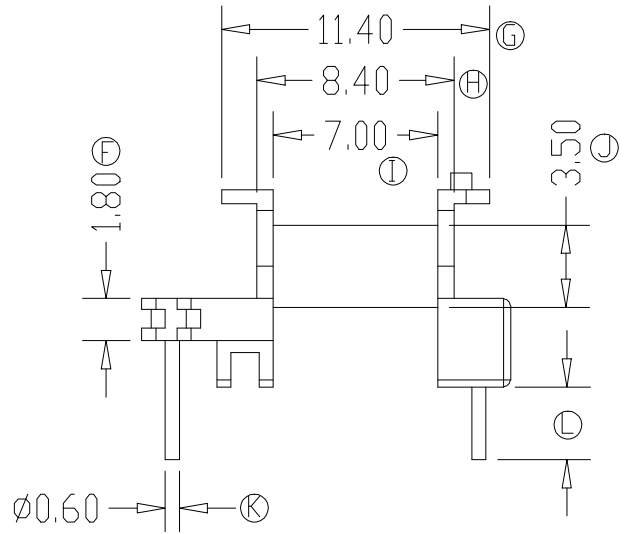
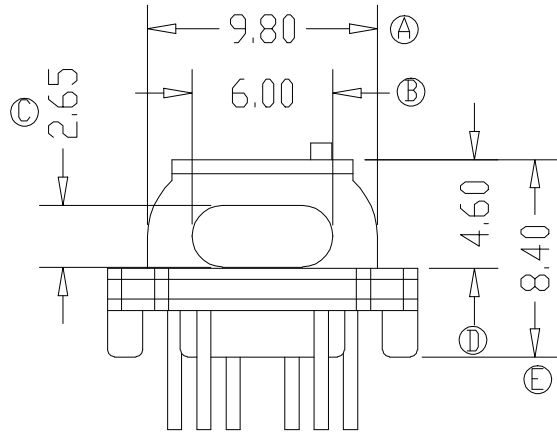


# ZX-13C



REV.	REVISIONS REC.		DATE	REV.	REVISIONS REC.		DATE
1				4			
2				5			
3				6			
DRAWN & DRAFTED BY		LIU WEI QIANG		TOLERANCES		ANGLE: $\pm 1^\circ$	
CHECKED & APPROVED BY		LI JUN		pin pitch		TITLE: <b>EPC-13(2+4P)</b>	
		0 < L ≤ 4 ±0.1		UNIT: MM		BOBBIN MATERIAL: PHENOLIC	
		4 < L ≤ 16 ±0.2		SCALE:		UL REC. UL 94V-0	
		16 < L ≤ 63 ±0.3		DATE: 2011.07.02		PIN MATERIAL: CP WIRE	
<b>智信电子塑胶有限公司</b> ZHI XIN ELECTRONICS PLASTIC CO., LTD. TEL:0769-86389901-2 FAX:0769-86389903				DRAWING NO. ZX-13C		PIN TENSION LOAD: 1.0KG MIN	
				REV. A01			