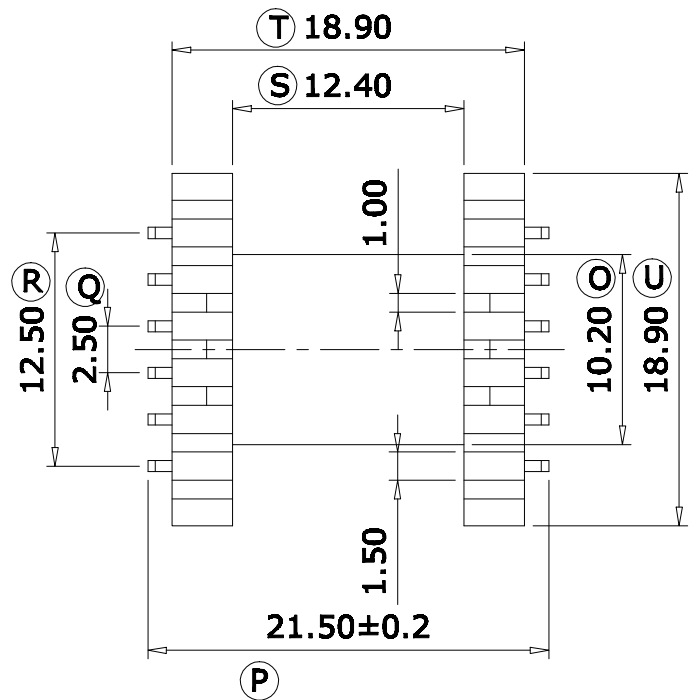
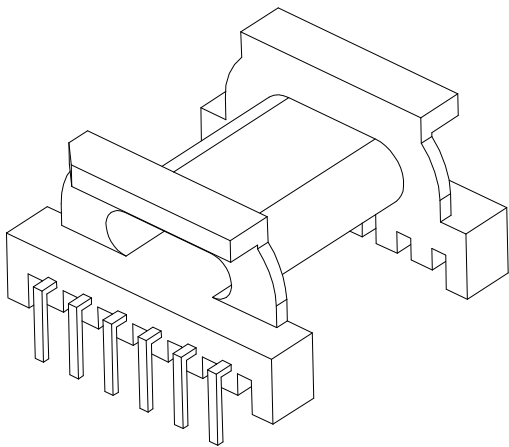
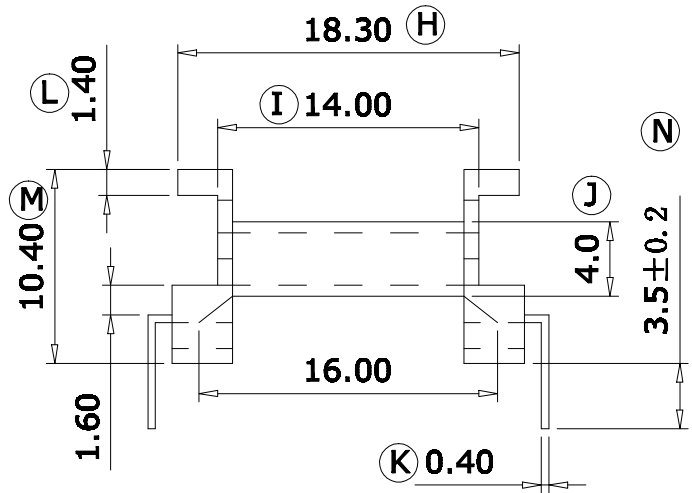
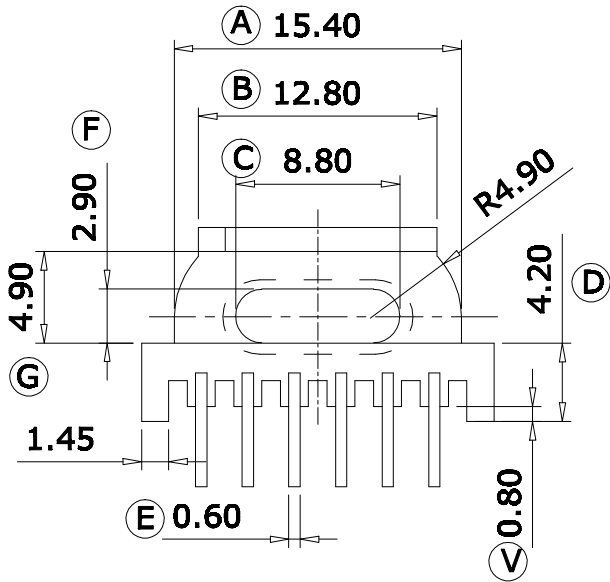


# ZX-19AS



REV.	REVISIONS	REC.	DATE	REV.	REVISIONS	REC.	DATE
1				4			
2	Ⓒ 27.45→26.60	Ⓔ 16.50→15.80		5			
3				6			
DRAWN & DRAFTED BY		LIU WEI QIANG		TOLERANCES		ANGLE: ±1°	
CHECKED & APPROVED BY		MA BU JIAN		pin pitch		TITLE: EPC-19(6+6P)	
		0<L≤4 ±0.1		UNIT: MM		BOBBIN MATERIAL: PM-9630	
		4<L≤16 ±0.2		SCALE:		UL REC. UL 94V-0	
		16<L≤63 ±0.3		DATE: 2004.06.28		PIN TENSION LOAD: 1.0KG MIN	
<b>智信电子塑胶有限公司</b> ZHI XIN ELECTRONICS PLASTIC CO., LTD. TEL:0769-86389901-2 FAX:0769-86389903				DRAWING NO. ZX-19AS		REV. A01	