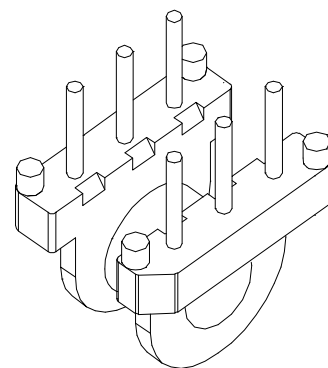
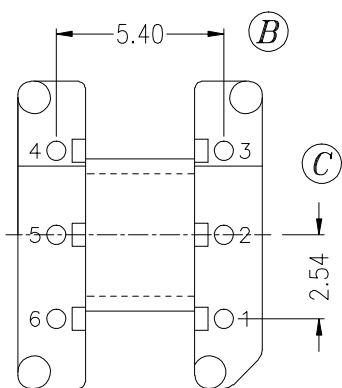
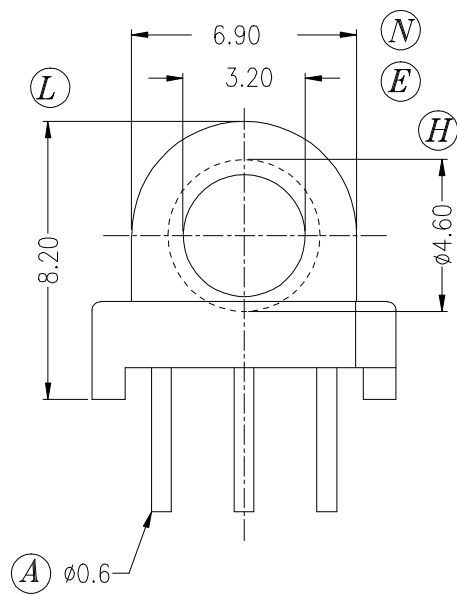
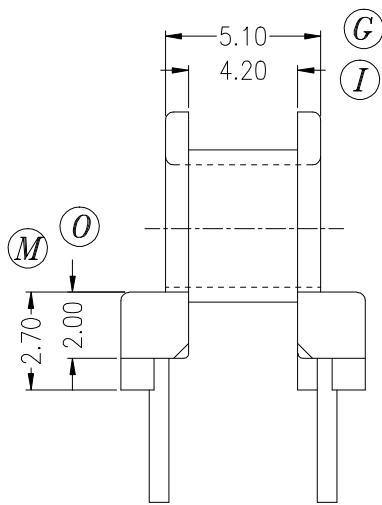
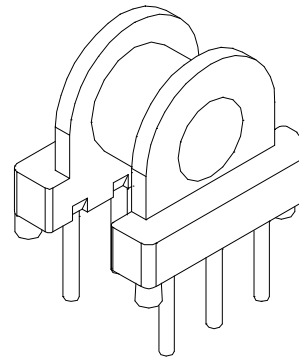
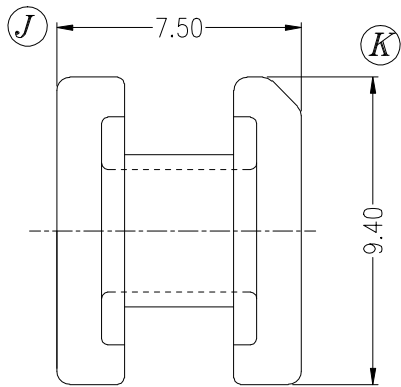


ZX-7C



REV.	REVISIONS REC.		DATE	REV.	REVISIONS REC.		DATE
1				4			
2				5			
3				6			
DRAWN & DRAFTED BY	LIU WEI QIANG	TOLERANCES		ANGLE:	TITLE: EP-7(3+3P)		
CHECKED & APPROVED BY	MA BU JIAN	0<L≤ 4 ±0.1	pin pitch ±0.2	UNIT:	BOBBIN MATERIAL:	UL REC. UL 94V-0	
		4<L≤ 16 ±0.2		MM	PHENOLIC		
		16<L≤ 63 ±0.3		SCALE:	PIN MATERIAL:	PIN TENSION LOAD: 0.7kg MIN.	
智信电子塑胶有限公司 ZHI XIN ELECTRONICS PLASTIC CO., LTD. TEL:0769-86389901-2 FAX:0769-86389903				DATE:	2007.07.05	DRAWING NO.:	ZX-7C
						REV.:	A01