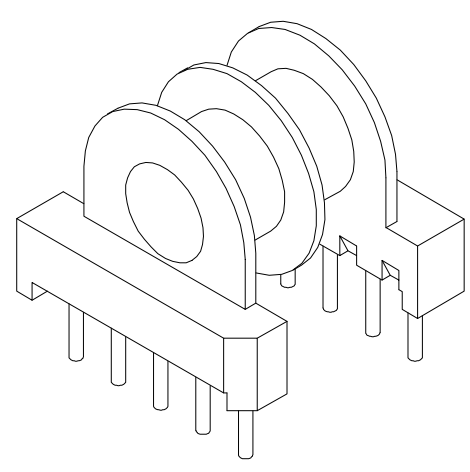
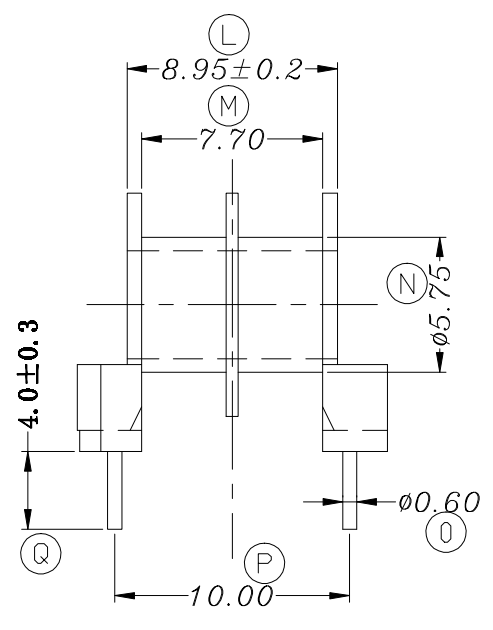
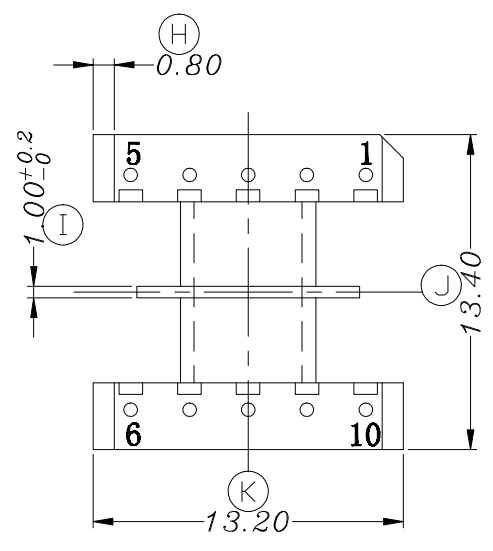
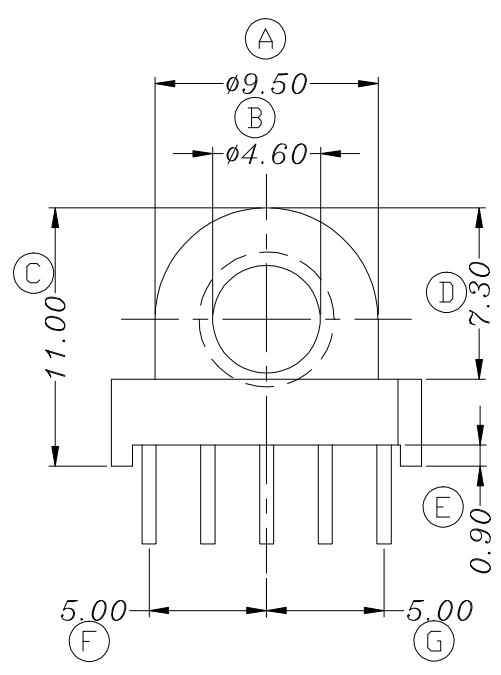


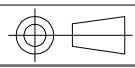
ZX-13D2



REV.	REVISIONS REC.		DATE	REV.	REVISIONS REC.		DATE		
1				4					
2				5					
3				6					
DRAWN & DRAFTED BY		LIU WEI QIANG		TOLERANCES		ANGLE: ±1°		TITLE: EP-13(5+5P)2S	
CHECKED & APPROVED BY		MA BU JIAN		0 < L ≤ 4 ±0.1 4 < L ≤ 16 ±0.2 16 < L ≤ 63 ±0.3		pin pitch ±0.2		BOBBIN MATERIAL: PHENOLIC	
						UNIT: MM		UL REC. UL 94V-0	
						SCALE:		PIN MATERIAL: CP WIRE	
						DATE: 2013.03.14		DRAWING NO. ZX-13D2	
								PIN TENSION LOAD: 1.0KG MIN	
								REV. A01	



智信电子塑胶有限公司
ZHI XIN ELECTRONICS PLASTIC CO., LTD.
 TEL:0769-86389901-2 FAX:0769-86389903



DATE: 2013.03.14

DRAWING NO. ZX-13D2

REV. A01