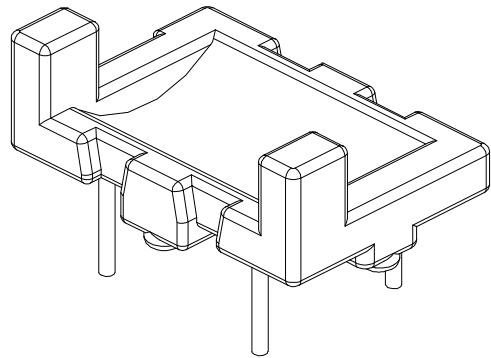
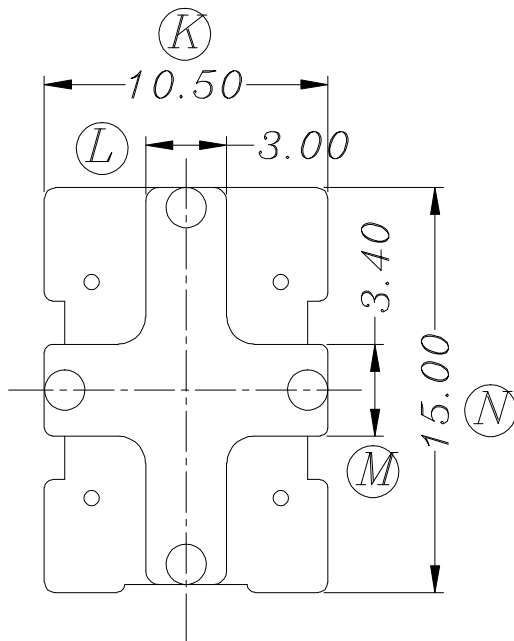
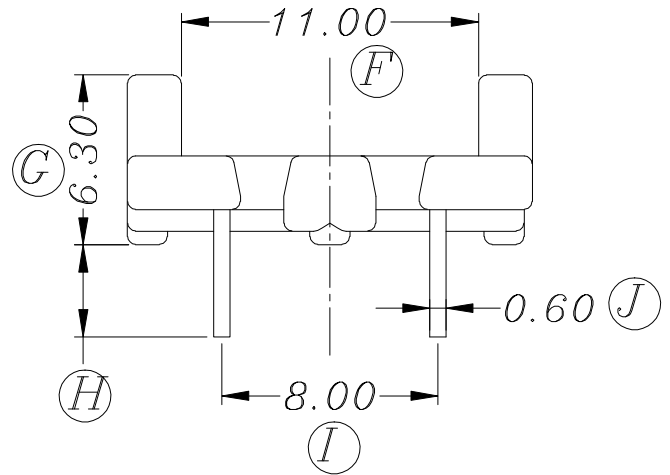
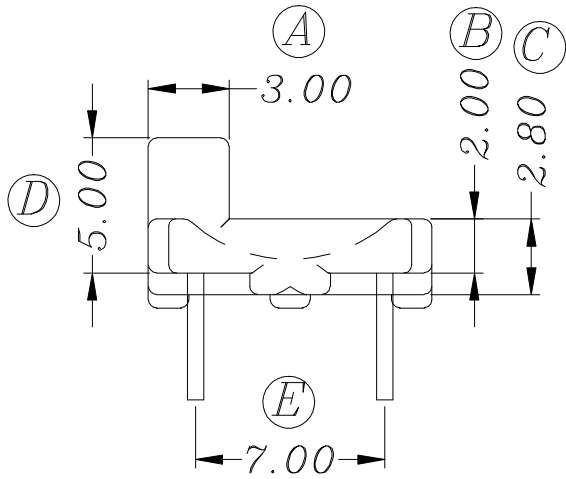


ZX-13A0



REV.	REVISIONS REC.		DATE	REV.	REVISIONS REC.		DATE	
1				4				
2				5				
3				6				
DRAWN & DRAFTED BY		LIU WEI QIANG	TOLERANCES		ANGLE: $\pm 1^\circ$			TITLE: ET-13 BASE(4P)
CHECKED & APPROVED BY		ZHANG YONG	0<L≤4 ±0.1	pin pitch ±0.2	UNIT: MM		BOBBIN MATERIAL: PHENOLIC	UL REC. UL 94V-0
			4<L≤16 ±0.2		SCALE:		PIN MATERIAL: CP WIRE	PIN TENSION LOAD: 1.0KG MIN
			16<L≤63 ±0.3	DATE: 2018.12.08		DRAWING NO. ZX-13A0		REV. A01



智信电子塑胶有限公司  
 ZHI XIN ELECTRONICS PLASTIC CO., LTD.  
 TEL:0769-86389901-2 FAX:0769-86389903

