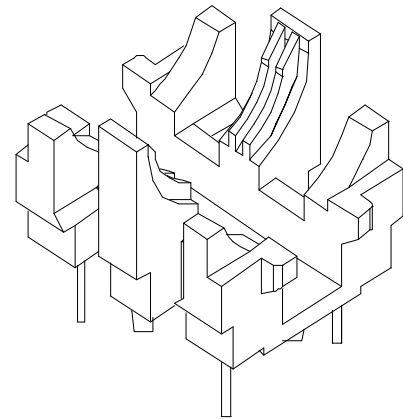
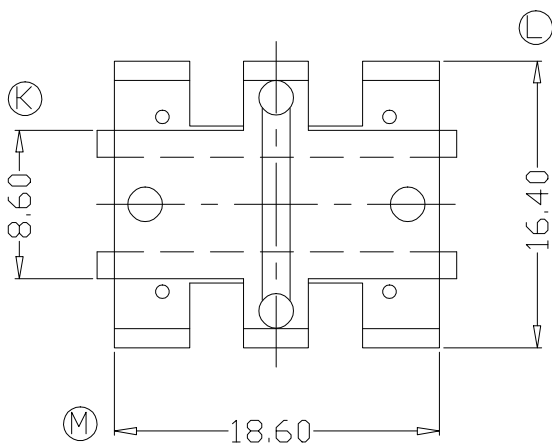
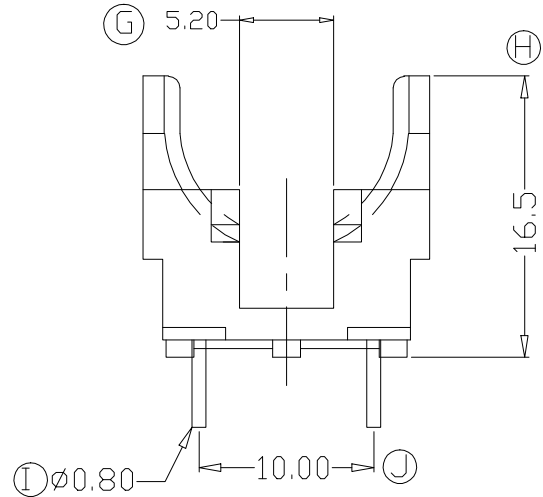
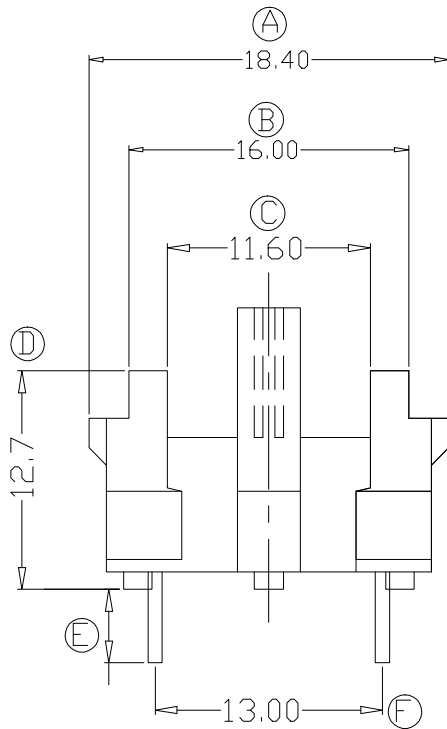


ZX-20A1

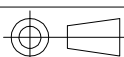


REV.	REVISIONS REC.		DATE	REV.	REVISIONS REC.		DATE
1				4			
2				5			
3				6			
DRAWN & DRAFTED BY	LIU WEI QIANG	TOLERANCES		ANGLE:	TITLE: UT-20(2+2P)		
CHECKED & APPROVED BY	MA BU JIAN	0<L≤4 ±0.1	pin pitch	±1°	BOBBIN MATERIAL:	PHENOLIC	UL REC. UL 94V-0
		4<L≤16 ±0.2	±0.2	UNIT:	CP WIRE	PIN TENSION LOAD:	1.2KG MIN
		16<L≤63 ±0.3		MM	DATE:	2008.07.08	DRAWING NO. ZX-20A1
SCALE:				REV. A01			



智信电子塑胶有限公司

ZHI XIN ELECTRONICS PLASTIC CO., LTD.
TEL:0769-86389901-2 FAX:0769-86389903



DATE: 2008.07.08

DRAWING NO. ZX-20A1

REV. A01