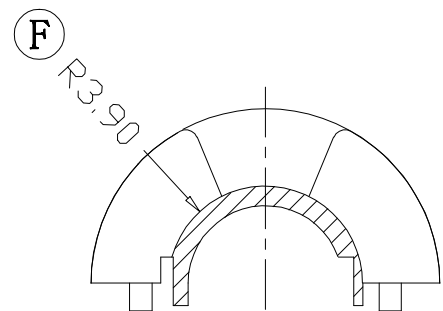
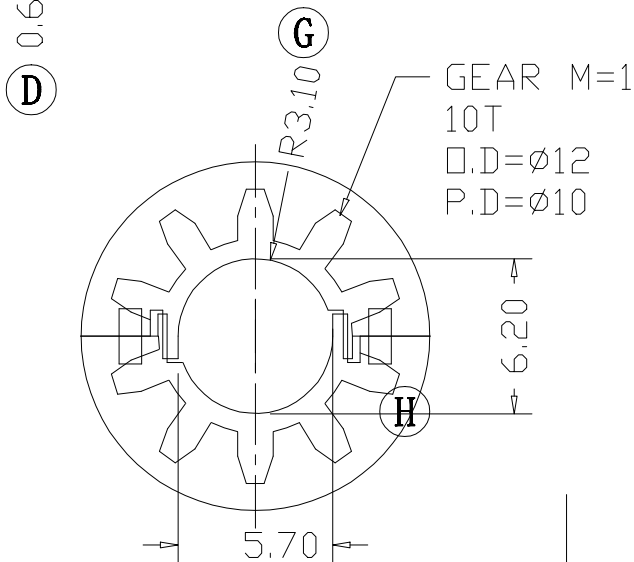
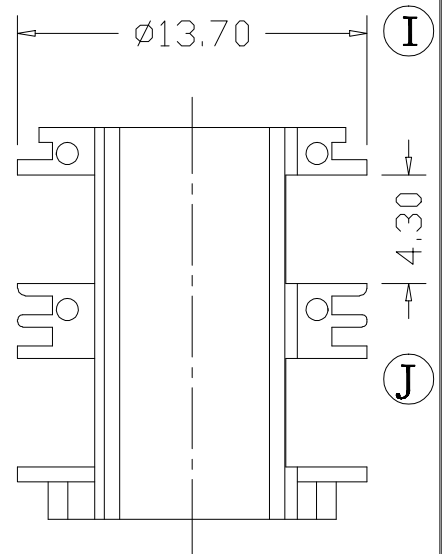
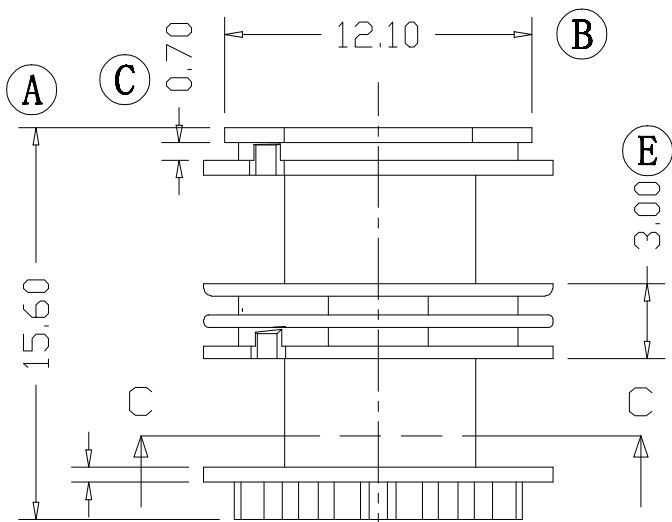
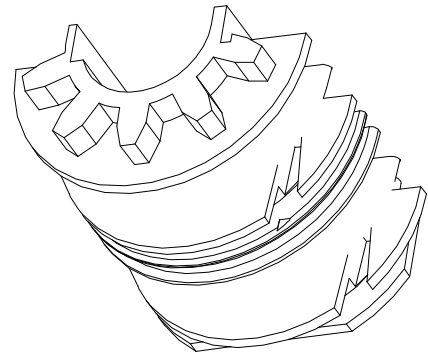
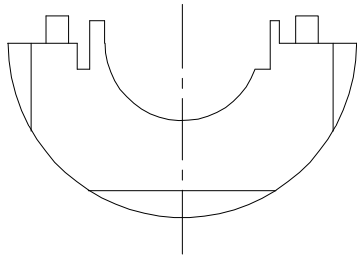


ZX-20B1



REV.	REVISIONS	REC.	DATE	REV.	REVISIONS	REC.	DATE
1				4			
2				5			
3				6			

DRAWN & DRAFTED BY LIU WEI QIANG	TOLERANCES		ANGLE:	TITLE: UT-20(2S)		
	$0 < L \leq 4$	± 0.1	$\pm 1^\circ$	BOBBIN MATERIAL:	PBT	UL REC. UL 94V-0
CHECKED & APPROVED BY MA BU JIAN	$4 < L \leq 16$	± 0.2	UNIT:	PIN MATERIAL:		PIN TENSION LOAD:
	$16 < L \leq 63$	± 0.3	MM			
SCALE:			DATE:	DRAWING NO. ZX-20B1		REV. A01
智信电子塑胶有限公司 ZHI XIN ELECTRONICS PLASTIC CO., LTD. TEL:0769-86389901-2 FAX:0769-86389903				2014.08.11		