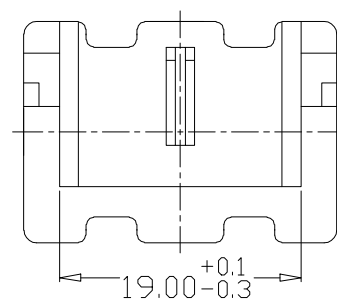
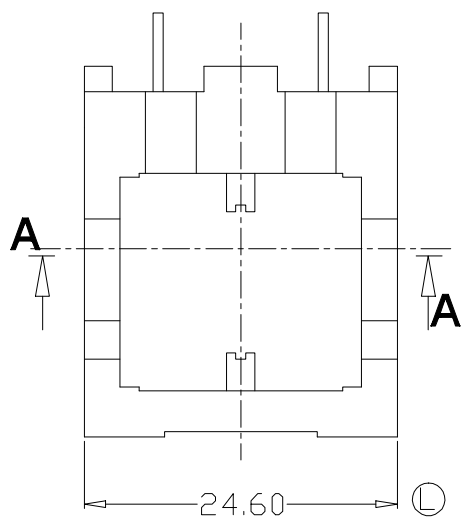
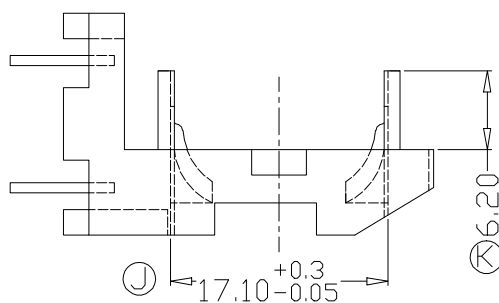
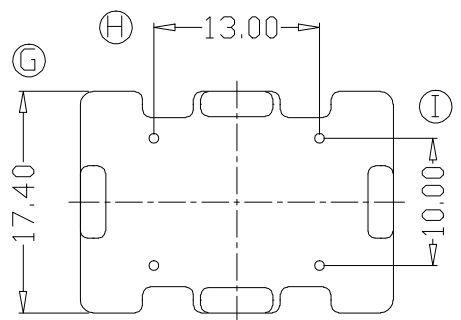
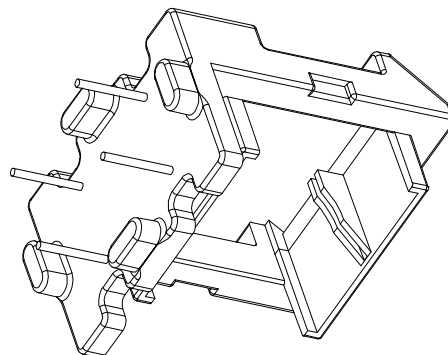
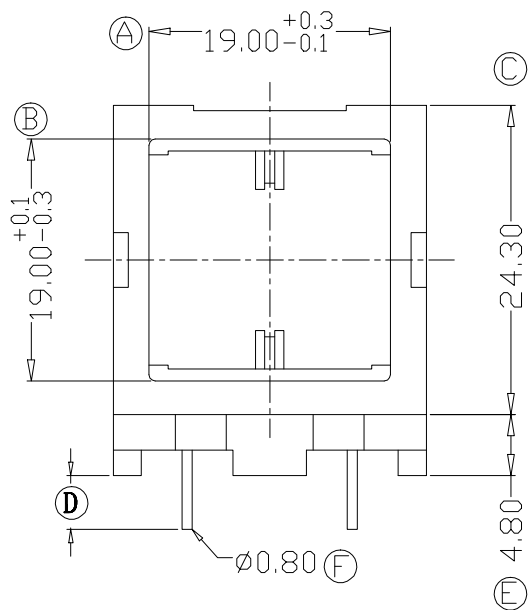


# ZX-24D



## SEC.A-A

REV.	REVISIONS	REC.	DATE	REV.	REVISIONS	REC.	DATE
1				4			
2				5			
3				6			

DRAWN & DRAFTED BY <b>LIU WEI QIANG</b>	TOLERANCES		ANGLE: $\pm 1^\circ$	TITLE: <b>ET-24(2+2P)</b>			
	0<L≤4 ±0.1	pin pitch ±0.2		UNIT: MM	BOBBIN MATERIAL: PHENOLIC	UL REC. UL 94V-0	
CHECKED & APPROVED BY <b>LI JUN</b>	4<L≤16 ±0.2		SCALE:	PIN MATERIAL: CP WIRE	PIN TENSION LOAD: 1.2KG MIN		
<b>智信电子塑胶有限公司</b> ZHI XIN ELECTRONICS PLASTIC CO., LTD. TEL:0769-86389901-2 FAX:0769-86389903	DATE: 2011.07.03	DRAWING NO. ZX-24D	REV. A01				