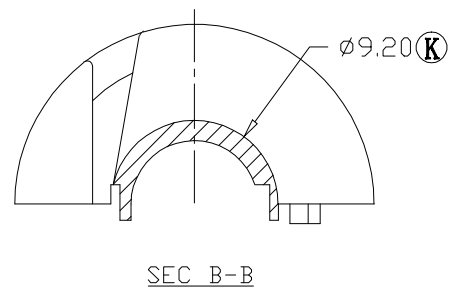
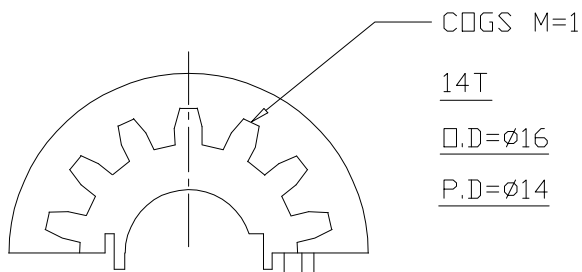
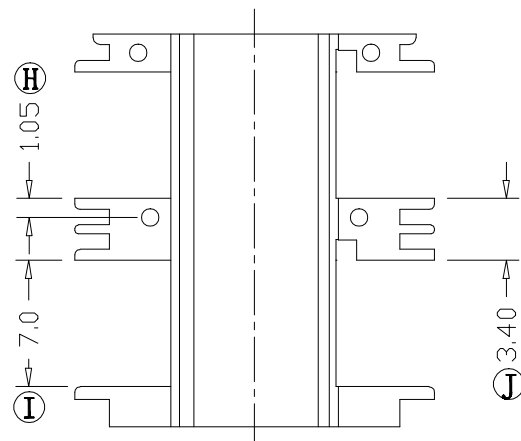
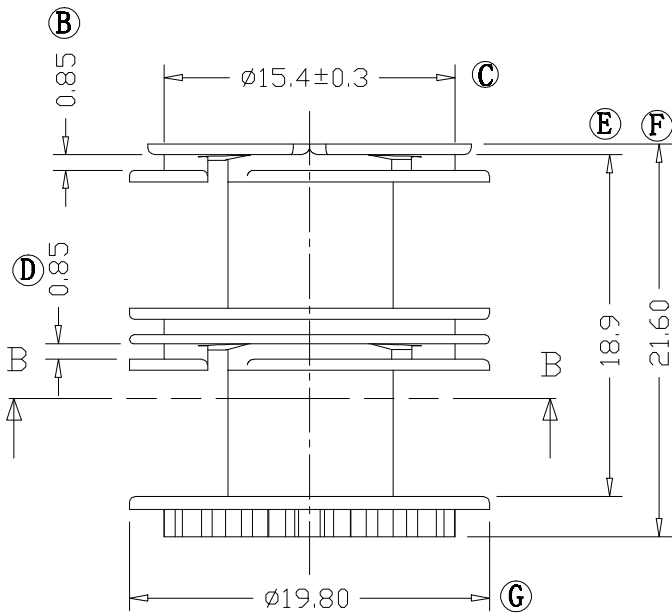
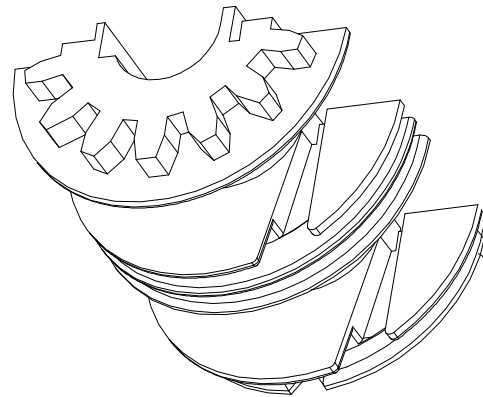
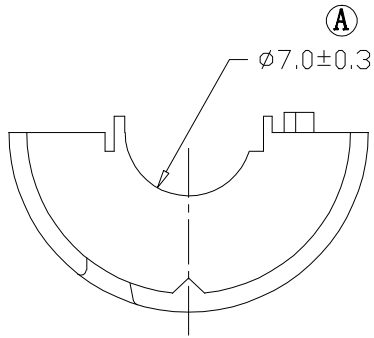


# ZX-28C1



REV.	REVISIONS REC.		DATE	REV.	REVISIONS REC.		DATE	
1				4				
2				5				
3				6				
DRAWN & DRAFTED BY		LIU WEI QIANG	TOLERANCES		ANGLE:		TITLE:	
CHECKED & APPROVED BY		MA BU JIAN	$0 < L \leq 4 \pm 0.1$ $4 < L \leq 16 \pm 0.2$ $16 < L \leq 63 \pm 0.3$	pin pitch $\pm 0.2$	$\pm 1^\circ$		ET-28(2S)	
			UNIT:	MM	BOBBIN MATERIAL:	PBT	UL REC. UL 94V-0	
			SCALE:		PIN MATERIAL:		PIN TENSION LOAD:	
<b>智信电子塑胶有限公司</b> ZHI XIN ELECTRONICS PLASTIC CO., LTD. TEL:0769-86389901-2 FAX:0769-86389903				DATE:	2011.06.02	DRAWING NO.	ZX-28C1	
							REV.	A01