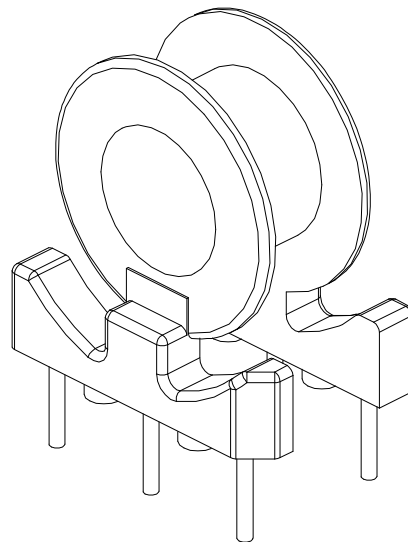
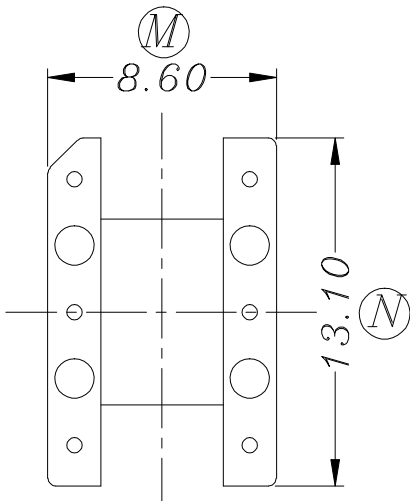
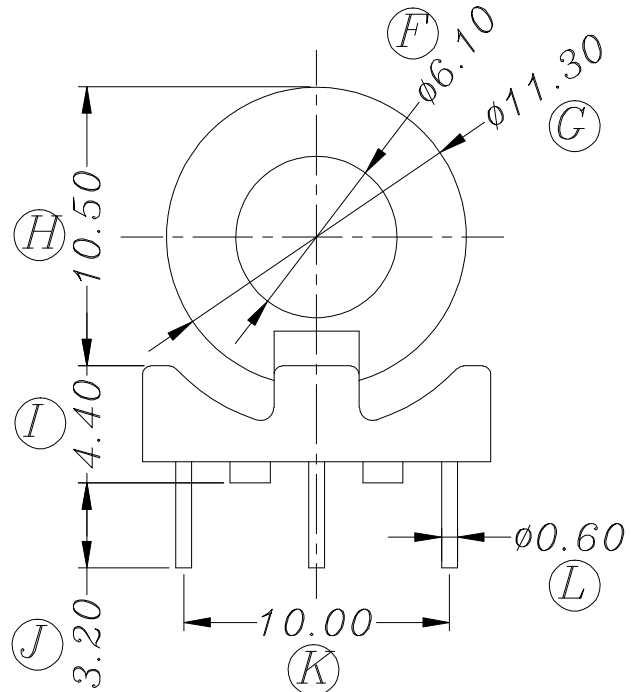
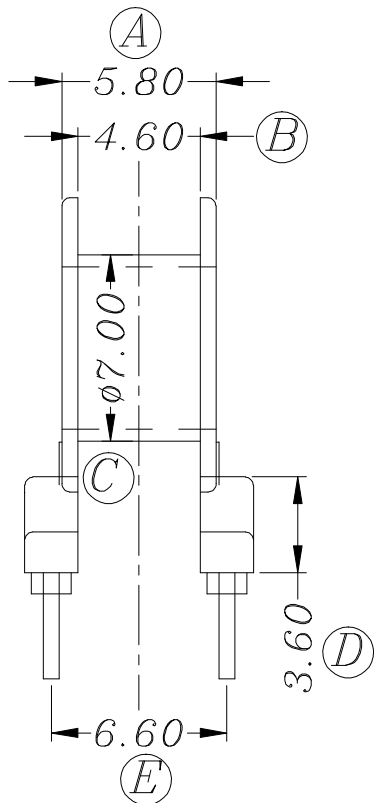


ZX-14D



REV.	REVISIONS	REC.	DATE	REV.	REVISIONS	REC.	DATE
1				4			
2				5			
3				6			
DRAWN & DRAFTED BY		LIU WEI QIANG		TOLERANCES		ANGLE: $\pm 1^\circ$	
CHECKED & APPROVED BY		MA BU JIAN		$0 < L \leq 4 \quad \pm 0.1$ $4 < L \leq 16 \quad \pm 0.2$ $16 < L \leq 63 \quad \pm 0.3$		pin pitch ± 0.2 UNIT: MM SCALE:	
TITLE: POT-14(3+3P)				BOBBIN MATERIAL: PHENOLIC		UL REC. UL 94V-0	
智信电子塑胶有限公司				PIN MATERIAL: CP WIRE		PIN TENSION LOAD: 1.0kg MIN.	
ZHI XIN ELECTRONICS PLASTIC CO., LTD.				DATE: 2007.09.14		DRAWING NO. ZX-14D	
TEL:0769-86389901-2 FAX:0769-86389903						REV. A01	