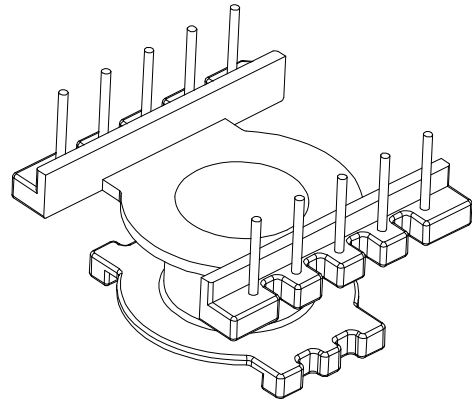
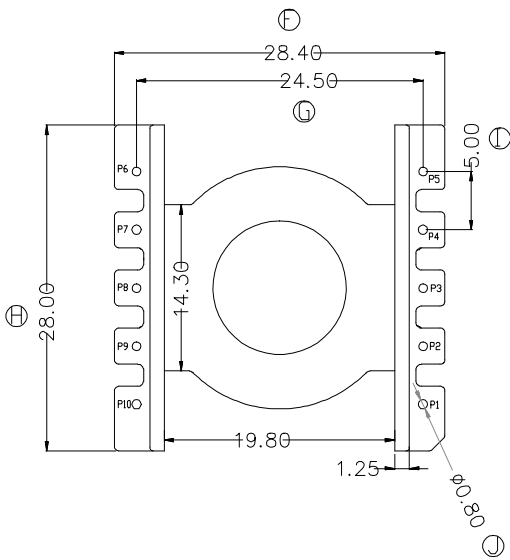
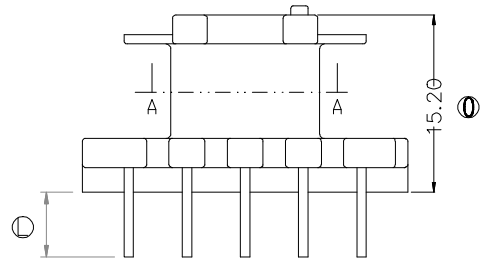
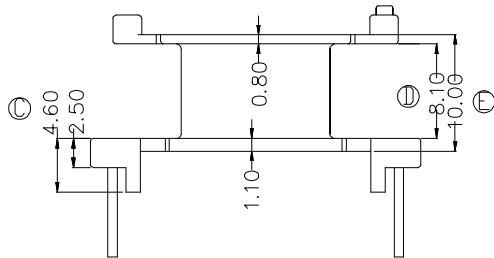
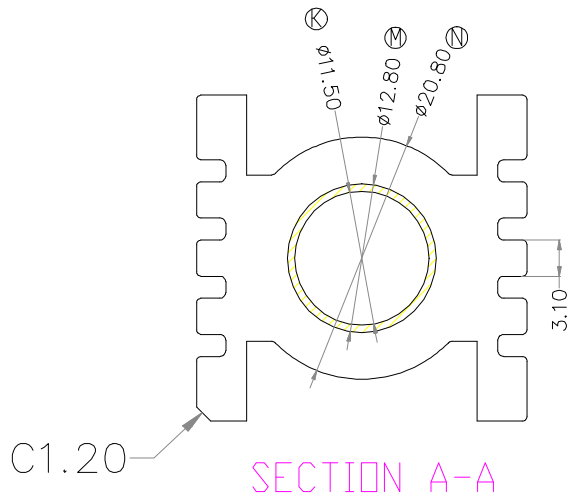
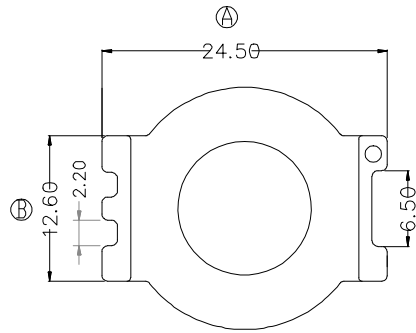


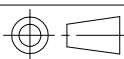
ZX-28AK



REV.	REVISIONS REC.		DATE	REV.	REVISIONS REC.		DATE
1				4			
2				5			
3				6			
DRAWN & DRAFTED BY		LIU WEI QIANG		TOLERANCES		ANGLE: $\pm 1^\circ$	
CHECKED & APPROVED BY		ZHANG YONG		$0 < L \leq 4 \pm 0.1$ $4 < L \leq 16 \pm 0.2$ $16 < L \leq 63 \pm 0.3$		pin pitch ± 0.2	
				UNIT: MM		TITLE: POT-28(5+5P)	
				SCALE:		BOBBIN MATERIAL: PHENOLIC	
				DATE: 2018.12.08		UL REC. UL 94V-0	
				DRAWING NO. ZX-28AK		PIN TENSION LOAD: 1.2KG MIN	
				REV. A01			



智信电子塑胶有限公司
 ZHI XIN ELECTRONICS PLASTIC CO., LTD.
 TEL: 0769-86389901-2 FAX: 0769-86389903



DATE: 2018.12.08

DRAWING NO. ZX-28AK

REV. A01