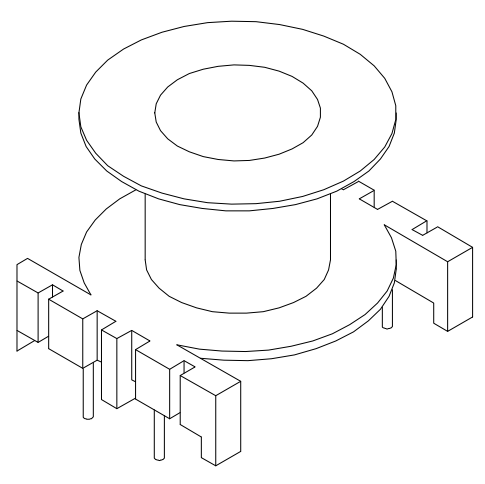
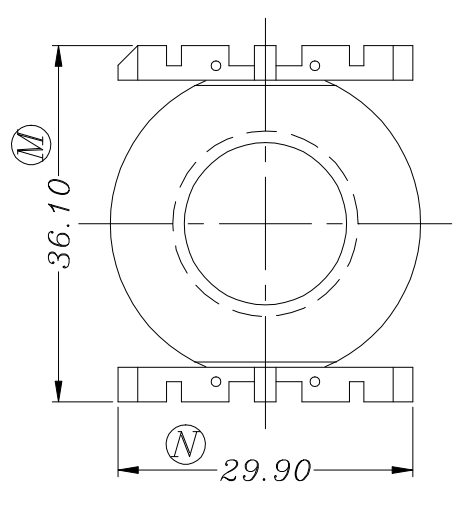
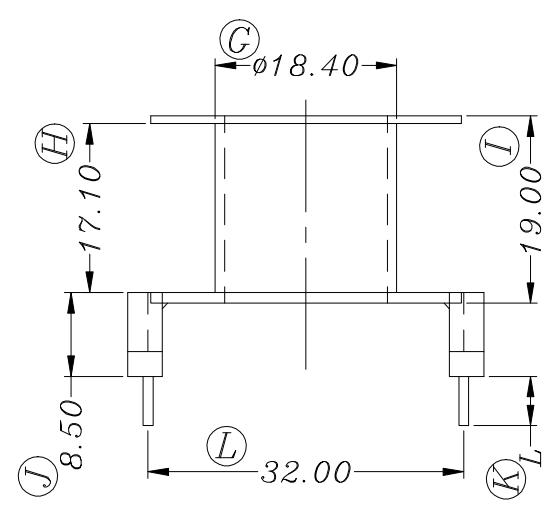
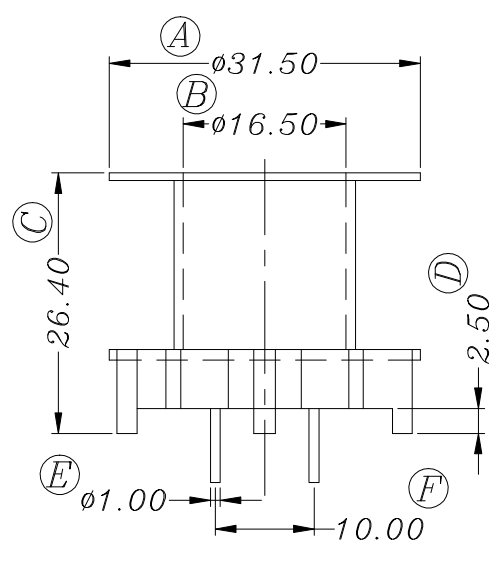


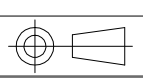
ZX-40J



REV.	REVISIONS REC.		DATE	REV.	REVISIONS REC.		DATE
1				4			
2				5			
3				6			
DRAWN & DRAFTED BY		LIU WEI QIANG	TOLERANCES		ANGLE:	TITLE:	
CHECKED & APPROVED BY		MA BU JIAN	0 < L ≤ 4 ±0.1	pin pitch	±1°	POT-40 (2+2P)	
			4 < L ≤ 16 ±0.2	±0.2	UNIT:	BOBBIN MATERIAL:	UL REC.
			16 < L ≤ 63 ±0.3		MM	PHENOLIC	UL 94V-0
					SCALE:	PIN MATERIAL:	PIN TENSION LOAD:
						CP WIRE	1.5KG MIN
					DATE:	DRAWING NO.	REV.
					2013.05.21	ZX-40J	A01



智信电子塑胶有限公司
ZHI XIN ELECTRONICS PLASTIC CO., LTD.
 TEL:0769-86389901-2 FAX:0769-86389903



DATE: 2013.05.21
 DRAWING NO. ZX-40J
 REV. A01