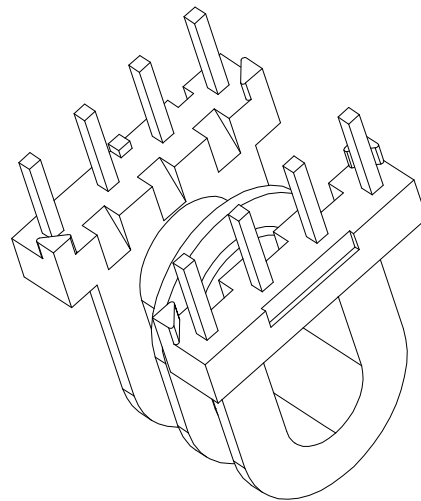
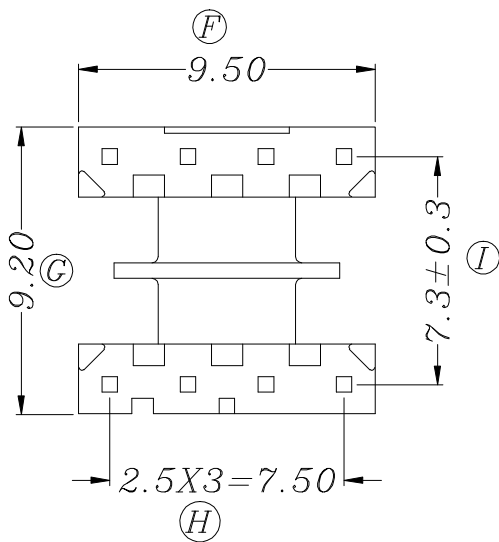
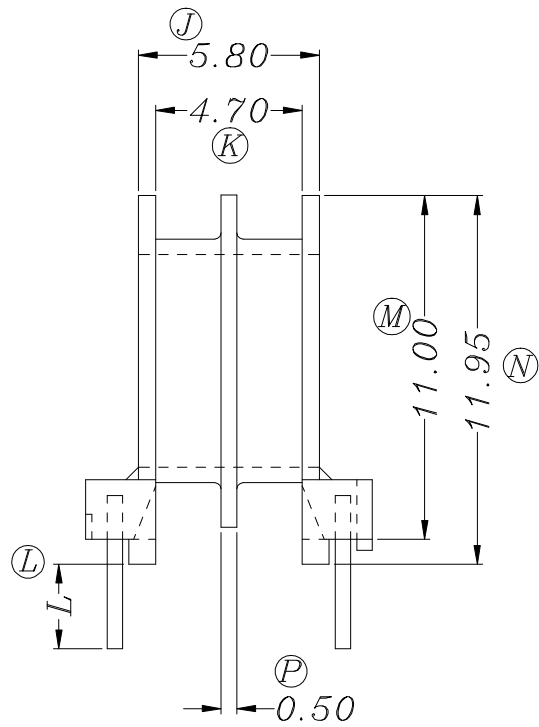
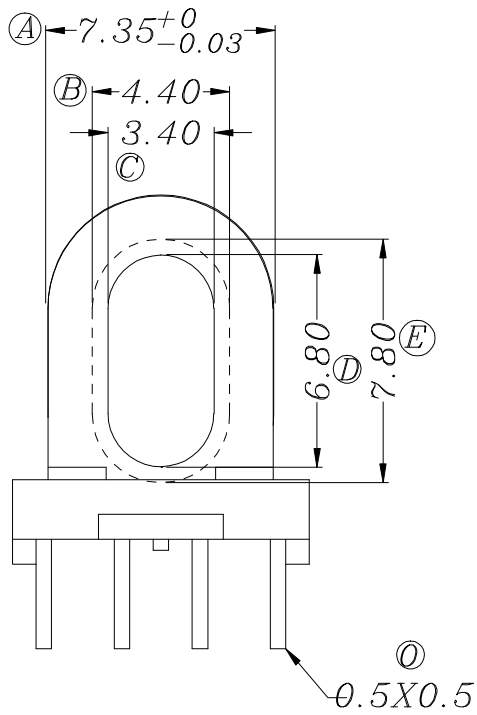


ZX-9.5A1



REV.	REVISIONS	REC.	DATE	REV.	REVISIONS	REC.	DATE		
1				4					
2				5					
3				6					
DRAWN & DRAFTED BY		LIU WEI QIANG		TOLERANCES		ANGLE: $\pm 1^\circ$			
CHECKED & APPROVED BY		MA BU JIAN		0 < L ≤ 4 ±0.1 4 < L ≤ 16 ±0.2 16 < L ≤ 63 ±0.3		pin pitch ±0.2 UNIT: MM SCALE:			
ZXE 智信电子塑胶有限公司 ZHI XIN ELECTRONICS PLASTIC CO., LTD. TEL:0769-86389901-2 FAX:0769-86389903				TITLE: EOP-9.5(4+4P)2S BOBBIN MATERIAL: PHENOLIC PIN MATERIAL: CP WIRE DATE: 2007.10.05 DRAWING NO. ZX-9.5A1				UL REC. UL 94V-0 PIN TENSION LOAD: 0.8KG MIN REV. A01	