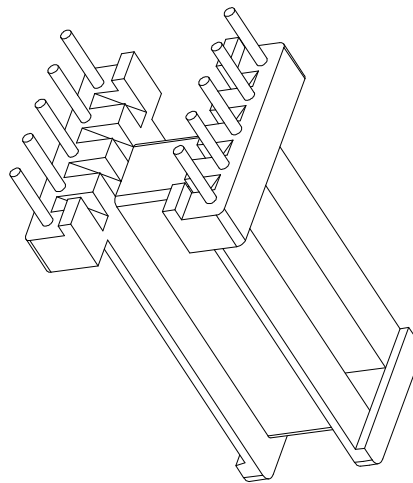
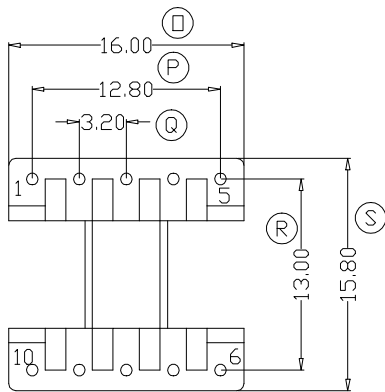
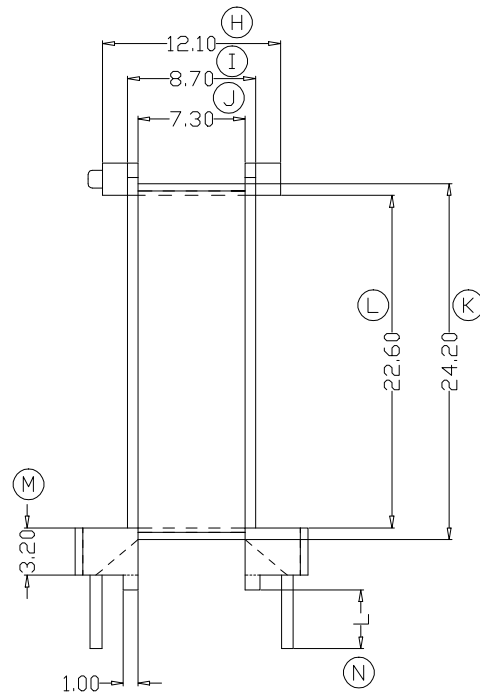
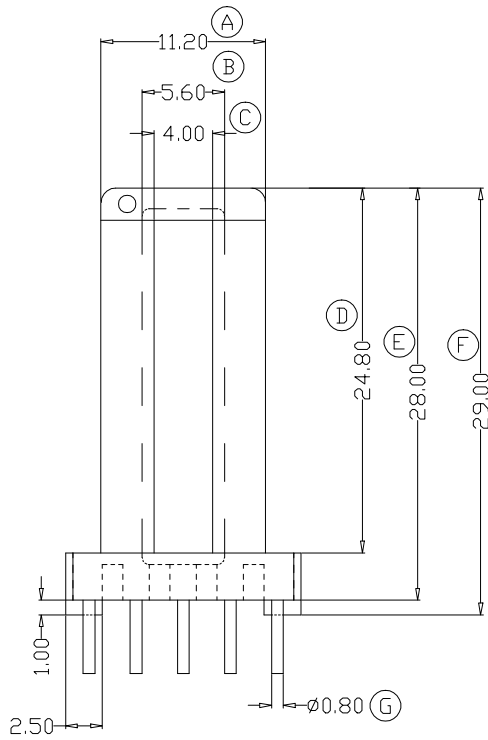


ZX-15J



| REV.   | REVISIONS REC. | DATE                               | REV. | REVISIONS REC.              | DATE |
|--|----------------|------------------------------------|------|-----------------------------|------|
| 1  |                |                                    | 4    |                             |      |
| 2  |                |                                    | 5    |                             |      |
| 3  |                |                                    | 6    |                             |      |
| DRAWN & DRAFTED BY<br>LIU WEI QIANG  |                | TOLERANCES<br>0<L<4 ±0.1 pin pitch |      | ANGLE: ±1°                  |      |
| CHECKED & APPROVED BY<br>MA BU JIAN  |                | 4<L<16 ±0.2 ±0.2                   |      | UNIT: MM                    |      |
| 智信电子塑胶有限公司<br>ZHI XIN ELECTRONICS PLASTIC CO., LTD.<br>TEL:0769-86389901-2 FAX:0769-86389903 |                | SCALE:                             |      | TITLE: EW-15(5+5P)          |      |
|  |                | DATE: 2015.10.25                   |      | BOBBIN MATERIAL: PHENOLIC   |      |
|  |                | DRAWING NO. ZX-15J                 |      | UL REC. UL 94V-0            |      |
|  |                |                                    |      | PIN TENSION LOAD: 0.7KG MIN |      |
|  |                |                                    |      | REV. A01                    |      |