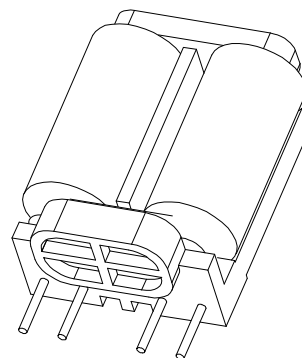
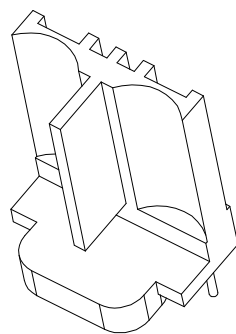
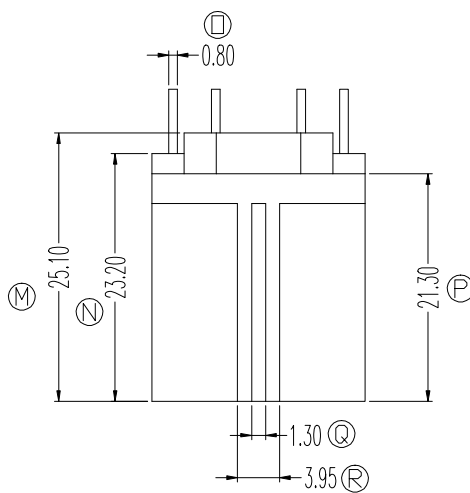
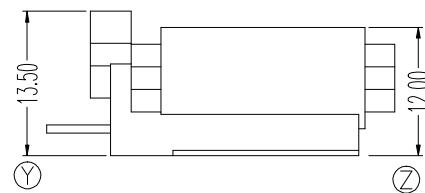
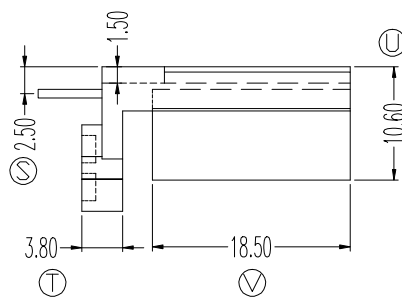
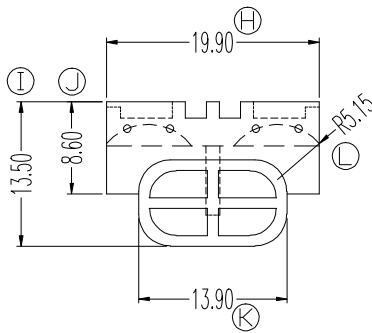
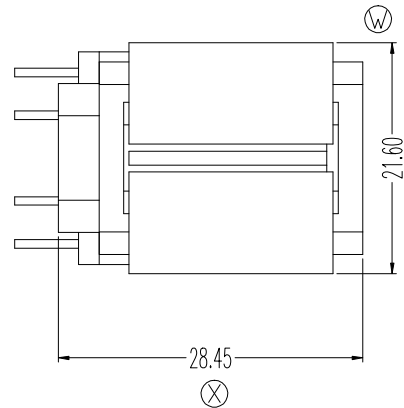
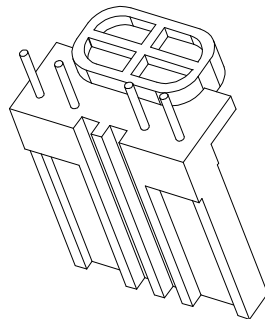
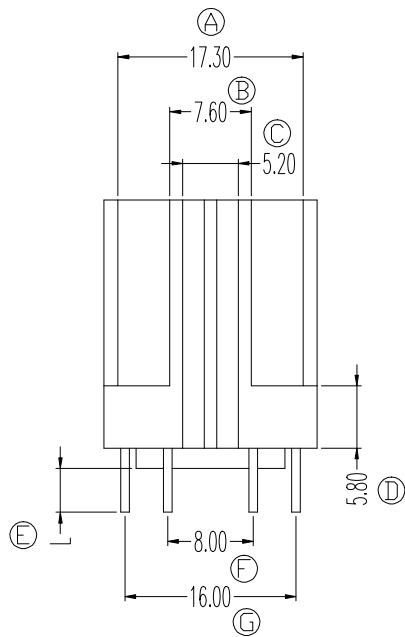


ZX-B061



REV.	REVISIONS REC.		DATE	REV.	REVISIONS REC.		DATE		
1				4					
2				5					
3				6					
DRAWN & DRAFTED BY		LIU WEI QIANG		TOLERANCES		ANGLE: $\pm 1^\circ$		TITLE: FT-24 BASE(4P)	
CHECKED & APPROVED BY		ZHANG YONG		0<L≤4 ±0.1 4<L≤16 ±0.2 16<L≤63 ±0.3		pin pitch ±0.2		UNIT: MM	
SCALE:				BOBBIN MATERIAL: PHENOLIC		UL REC. UL 94V-0		PIN MATERIAL: CP WIRE	
DATE: 2015.04.24				DRAWING NO. ZX-B061		PIN TENSION LOAD: 1.0KG MIN		REV. A01	



智信电子塑胶有限公司

ZHI XIN ELECTRONICS PLASTIC CO., LTD.
TEL:0769-86389901-2 FAX:0769-86389903