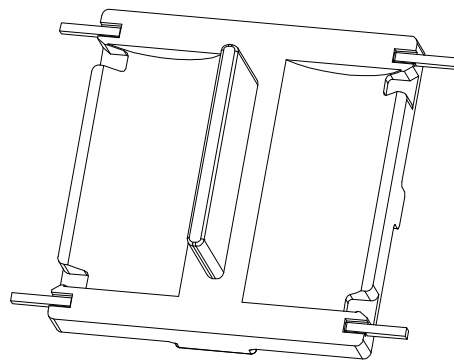
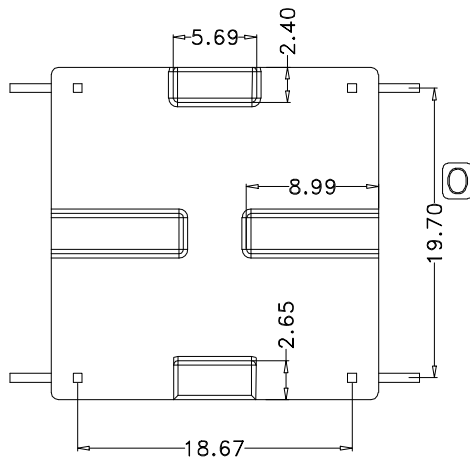
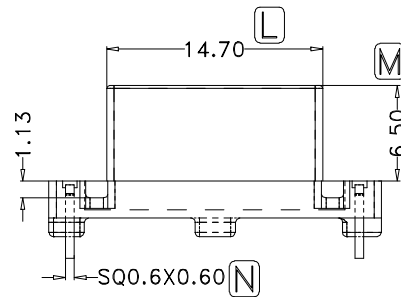
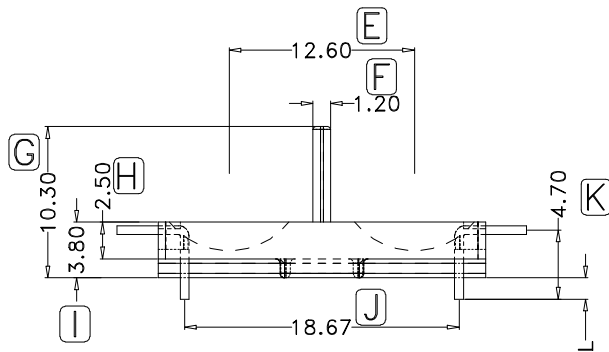
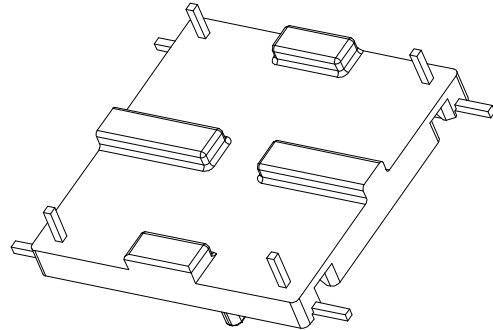
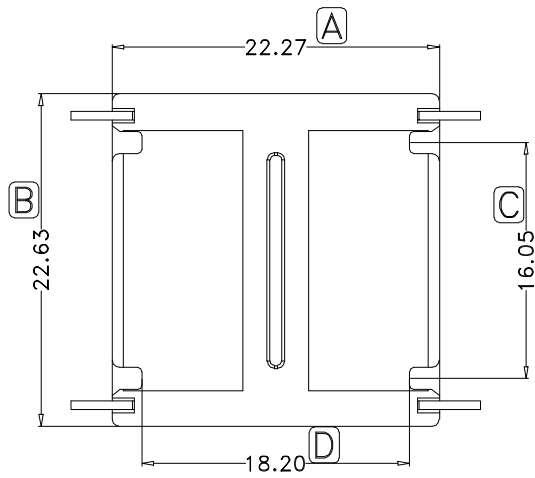


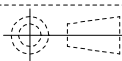
ZX-B071



| REV. | REVISIONS | REC. | DATE | REV. | REVISIONS | REC. | DATE |
|-----------------------|-----------|---------------|--|------|---------------|------------------|-------------------|
| 1 | | | | 4 | | | |
| 2 | | | | 5 | | | |
| 3 | | | | 6 | | | |
| DRAWN & DRAFTED BY | | LIU WEI QIANG | TOLERANCES | | ANGLE: | TITLE: | |
| CHECKED & APPROVED BY | | MA BU JIAN | 0<L≤ 4 ±0.1 4<L≤ 16 ±0.2 16<L≤ 63 ±0.3 | | ±1° | SQ-2318(2+2P) | |
| | | | pin pitch ±0.2 | | UNIT: | BOBBIN MATERIAL: | UL REC. |
| | | | | | MM | PM-9820 | UL 94V-0 |
| | | | SCALE: | | PIN MATERIAL: | CP WIRE | PIN TENSION LOAD: |
| | | | | | | | 1.0kg MIN. |
| | | | DATE: | | DRAWING NO. | ZX-B071 | REV. |
| | | | 2016.09.05 | | | | A01 |



智信电子塑胶有限公司
ZHI XIN ELECTRONICS PLASTIC CO., LTD.
 TEL:0769-86389901-2 FAX:0769-86389903



DATE: 2016.09.05

DRAWING NO. ZX-B071

REV. A01