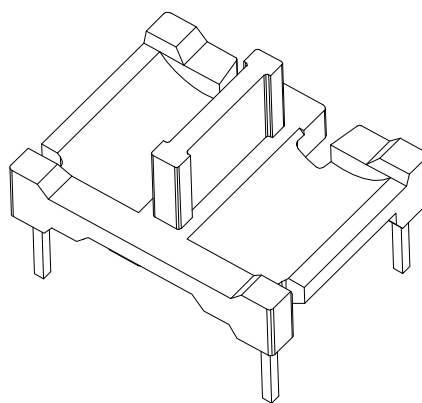
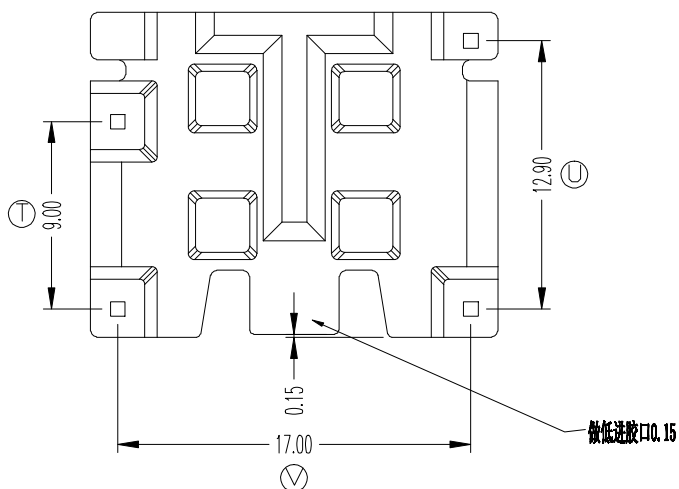
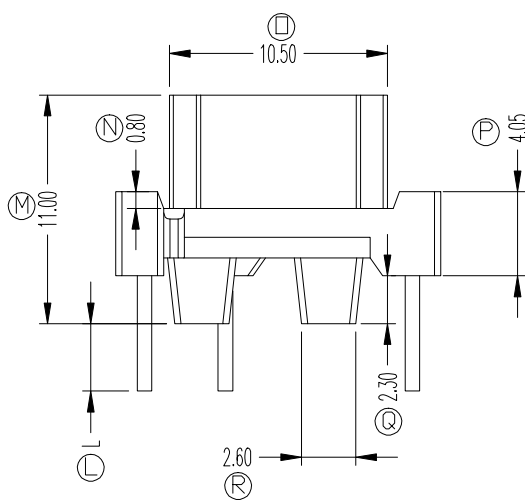
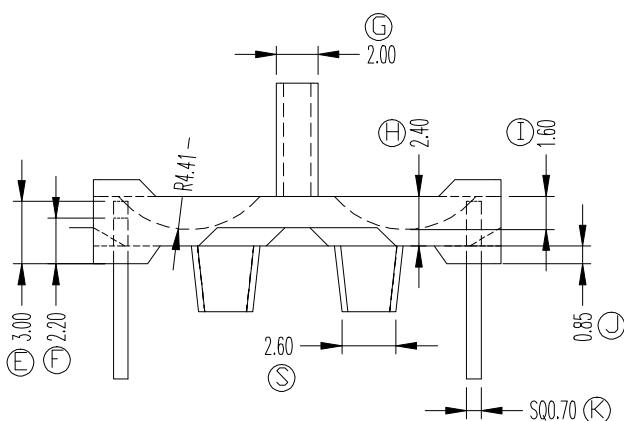
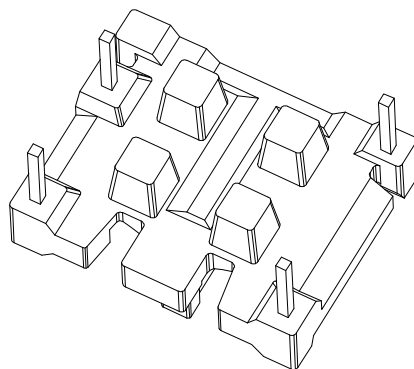
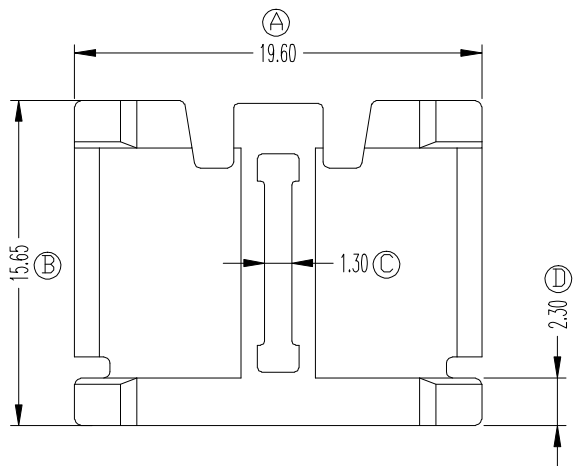


ZX-B083



REV.	REVISIONS	REC.	DATE	REV.	REVISIONS	REC.	DATE
1				4			
2				5			
3				6			
DRAWN & DRAFTED BY		LIU WEI QIANG		TOLERANCES		ANGLE: $\pm 1^\circ$	
CHECKED & APPROVED BY		LI QI YI		pin pitch $\pm 0.2$		UNIT: MM	
		0 < L ≤ 4 ± 0.1		SCALE:		TITLE: SQ-1515(4P)	
		4 < L ≤ 16 ± 0.2				BOBBIN MATERIAL: PHENOLIC	
		16 < L ≤ 63 ± 0.3				UL REC. UL 94V-0	
						PIN MATERIAL: CP WIRE	
						PIN TENSION LOAD: 1.0KG MIN	
				DATE: 2018.06.05		DRAWING NO. ZX-B083	
						REV. A01	



智信电子塑胶有限公司

ZHI XIN ELECTRONICS PLASTIC CO., LTD.  
TEL: 0769-86389901-2 FAX: 0769-86389903