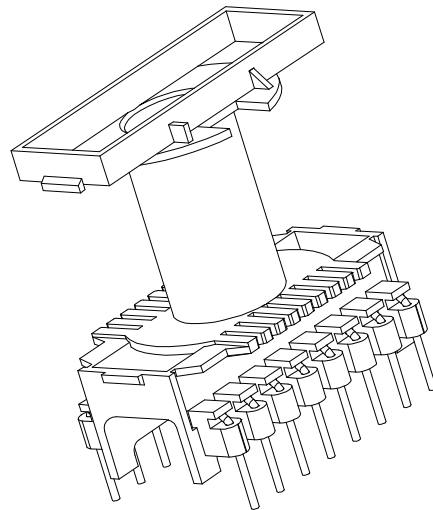
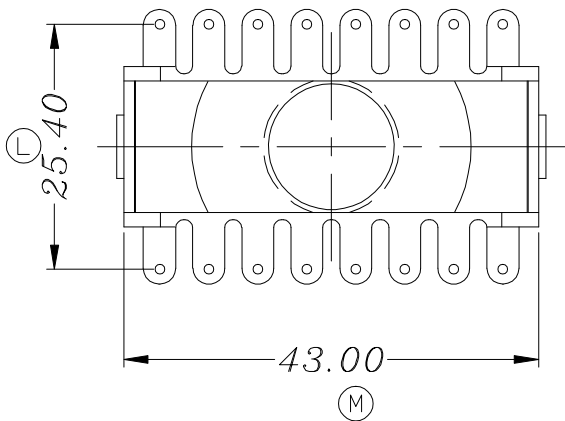
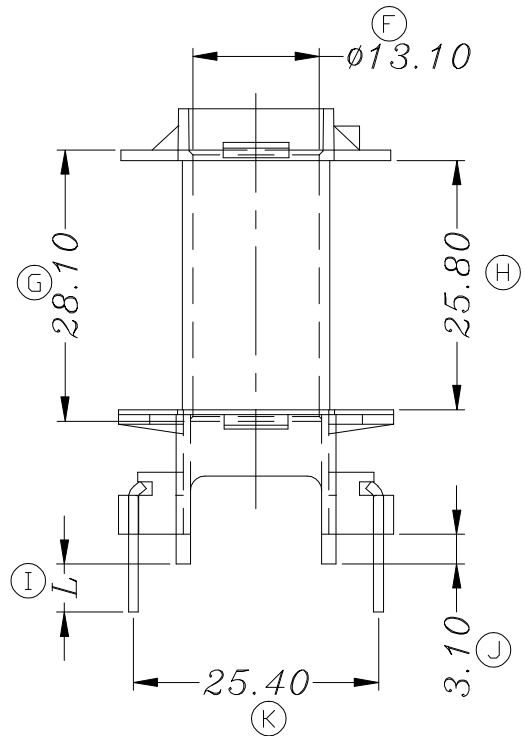
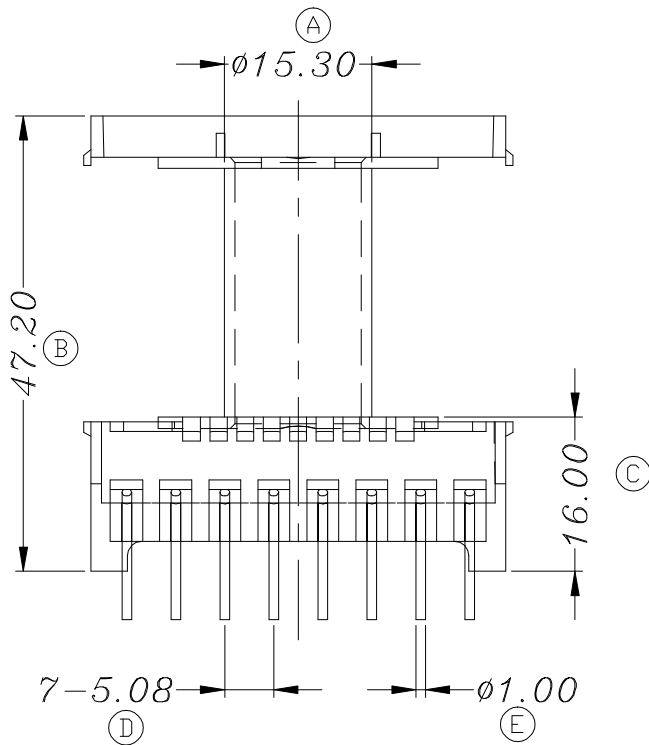


ZX-39A



| REV. | REVISIONS REC. | | DATE | REV. | REVISIONS REC. | | DATE |
|---|----------------|--------------|-----------|--------|---------------------|-----------------------------|--------|
| 1 | | | | 4 | | | |
| 2 | | | | 5 | | | |
| 3 | | | | 6 | | | |
| DRAWN & DRAFTED BY | LIU WEI QIANG | TOLERANCES | | ANGLE: | TITLE: ETD-39(8+8P) | | |
| CHECKED & APPROVED BY | LI JUN | 0<L≤4 ±0.1 | pin pitch | UNIT: | BOBBIN MATERIAL: | UL REC. UL 94V-0 | |
| | | 4<L≤16 ±0.2 | ±0.2 | MM | PET FR530 | | |
| | | 16<L≤63 ±0.3 | | SCALE: | PIN MATERIAL: | PIN TENSION LOAD: 1.5KG MIN | |
| 智信电子塑胶有限公司 ZHI XIN ELECTRONICS PLASTIC CO., LTD. TEL:0769-86389901-2 FAX:0769-86389903 | | | | DATE: | 2004.06.28 | DRAWING NO. | ZX-39A |
| | | | | | | REV. | A01 |