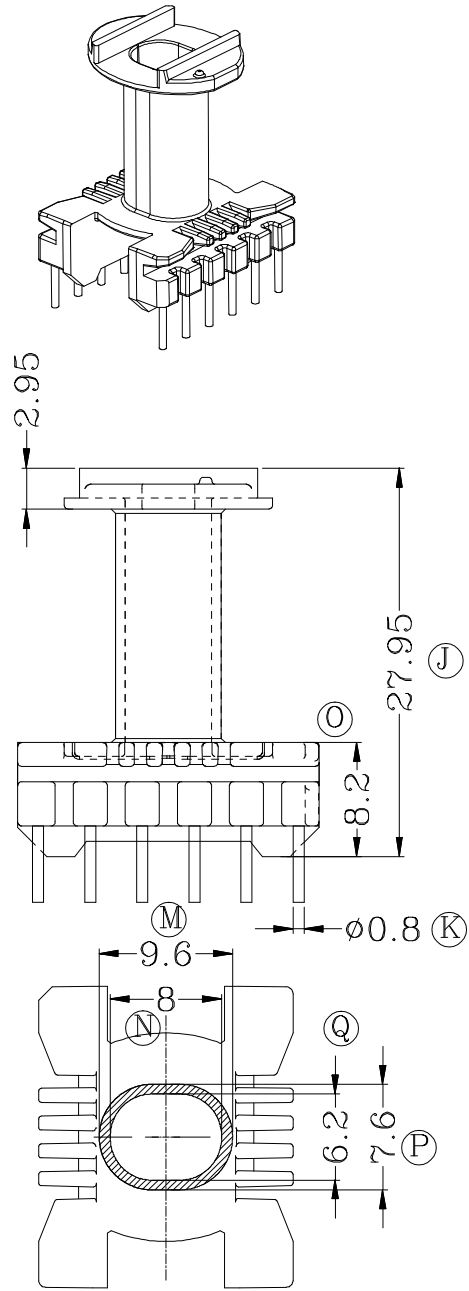
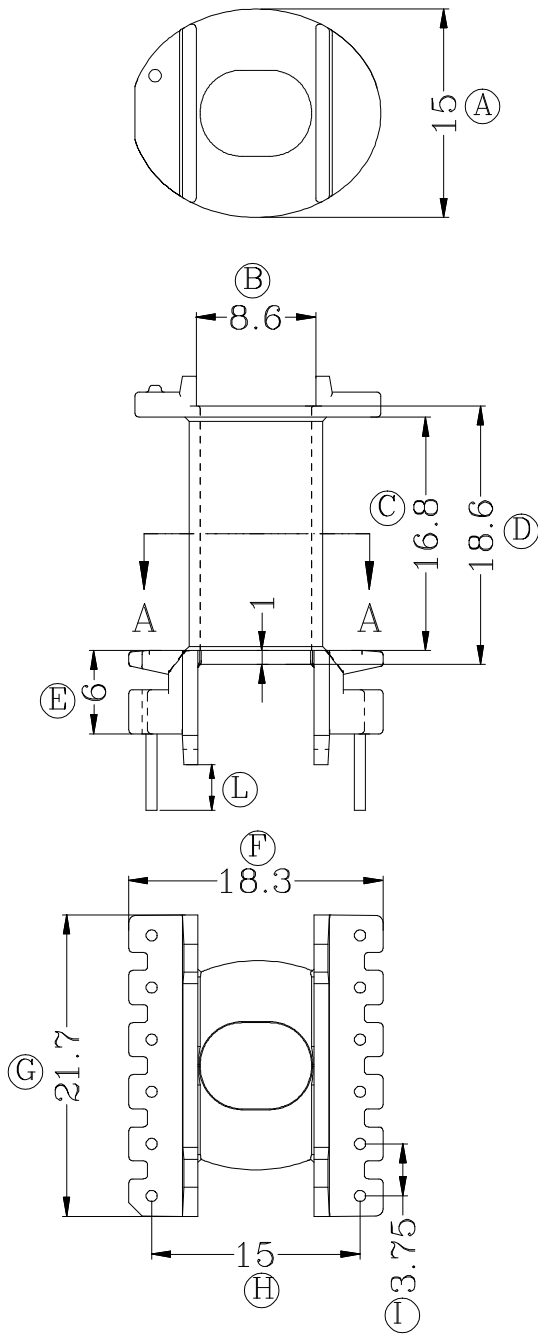


ZX-20BW



SECTION A-A

注意：拉力必须要在2.0KG以上。

REV.	REVISIONS REC.		DATE	REV.	REVISIONS REC.		DATE
1				4			
2				5			
3				6			
DRAWN & DRAFTED BY	LIU WEI QIANG	TOLERANCES		ANGLE:	TITLE: ECO-20(6+6P)		
CHECKED & APPROVED BY	ZHANG YONG	0<L≤4 ±0.1	pin pitch	UNIT:	BOBBIN MATERIAL:	UL REC.	
		4<L≤16 ±0.2	±0.2	MM	PM-9820	UL 94V-0	
		16<L≤63 ±0.3		SCALE:	PIN MATERIAL:	PIN TENSION LOAD:	
					CP WIRE	2.0KG MIN	
智信电子塑胶有限公司 ZHI XIN ELECTRONICS PLASTIC CO., LTD. TEL:0769-86389901-2 FAX:0769-86389903				DATE:	2018.12.08	DRAWING NO.	ZX-20BW
						REV.	A01