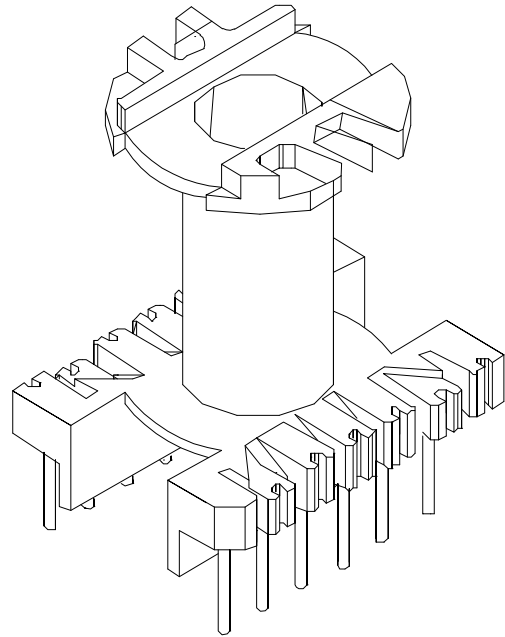
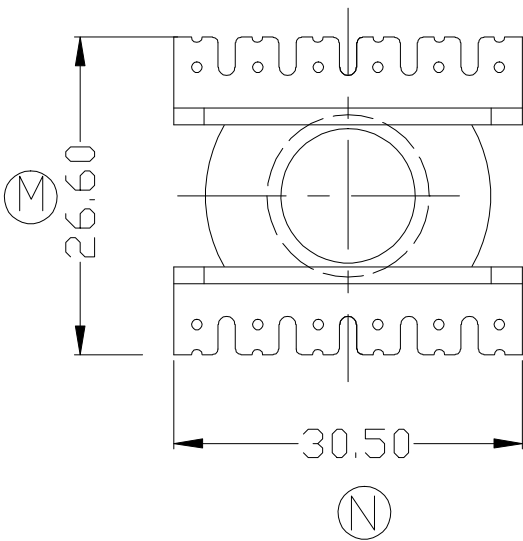
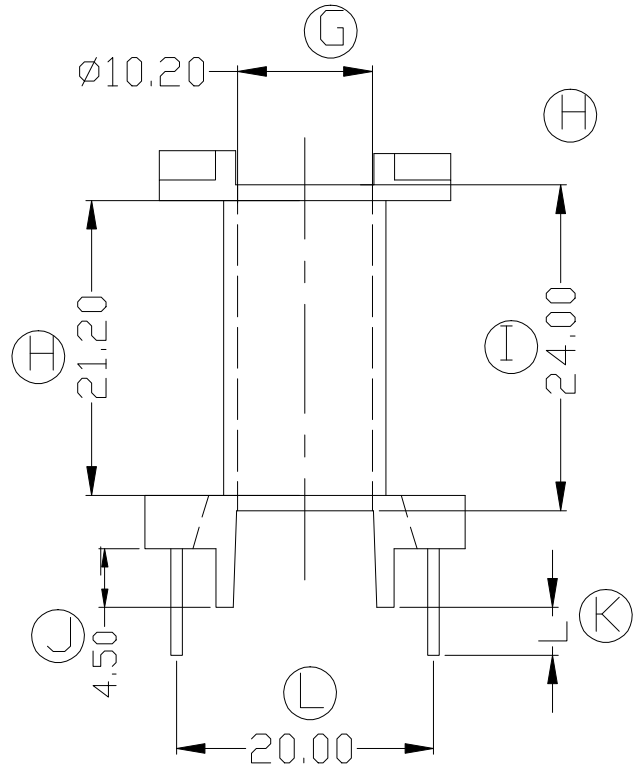
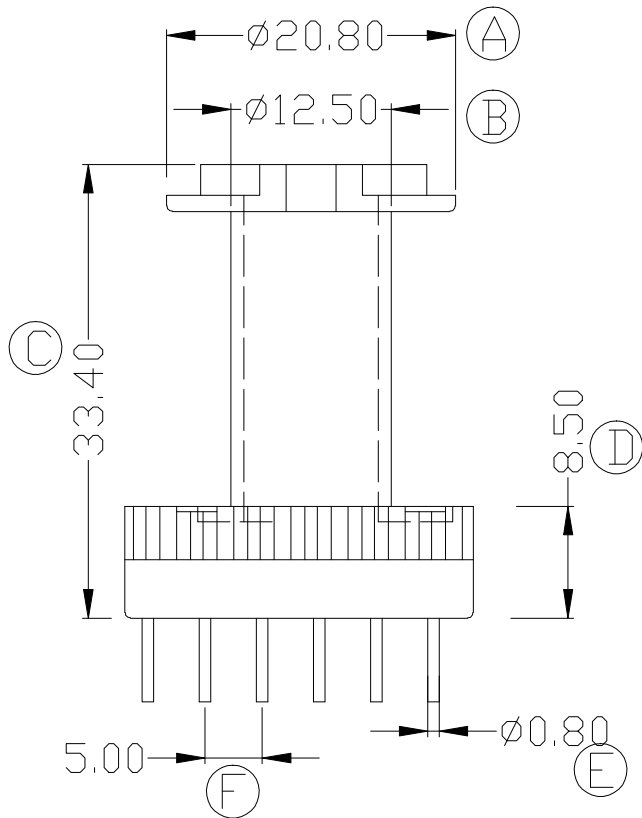


ZX-28R



REV.	REVISIONS REC.		DATE	REV.	REVISIONS REC.		DATE
1				4			
2				5			
3				6			
DRAWN & DRAFTED BY	LIU WEI QIANG	TOLERANCES		ANGLE:	TITLE: ERL-28(6+6P)		
CHECKED & APPROVED BY	MA BU JIAN	0 < L ≤ 4 ±0.1	pin pitch ±0.2	UNIT:	BOBBIN MATERIAL: PHENOLIC	UL REC. UL 94V-0	
		4 < L ≤ 16 ±0.2	±0.2	SCALE:	PIN MATERIAL: CP WIRE	PIN TENSION LOAD: 1.2kg MIN.	
		16 < L ≤ 63 ±0.3			DATE: 2009.09.18	DRAWING NO. ZX-28R	REV. A01



智信电子塑胶有限公司
ZHI XIN ELECTRONICS PLASTIC CO., LTD.
 TEL: 0769-86389901-2 FAX: 0769-86389903

