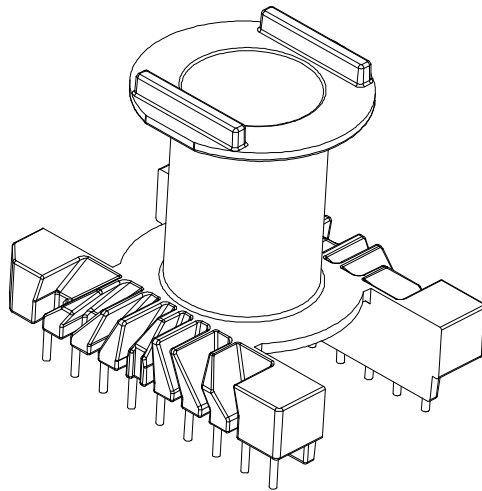
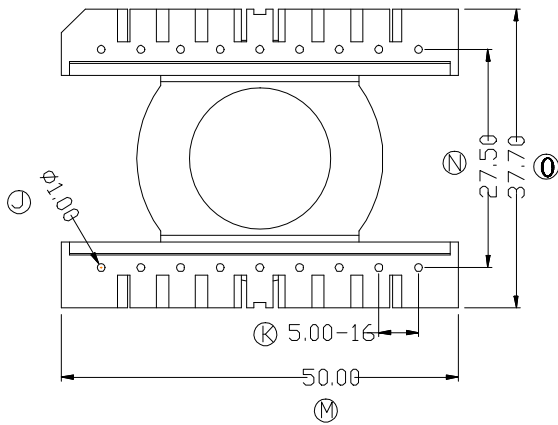
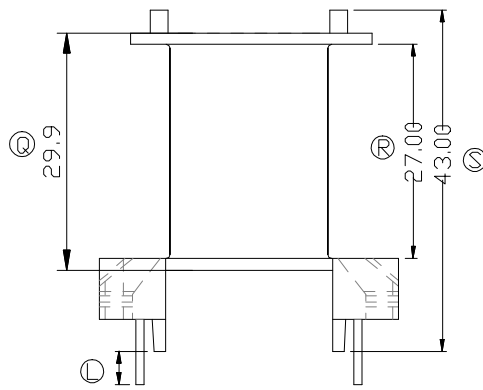
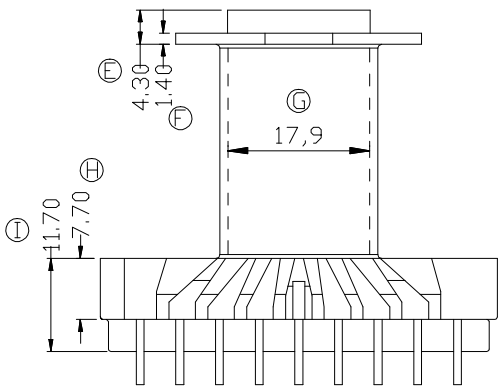
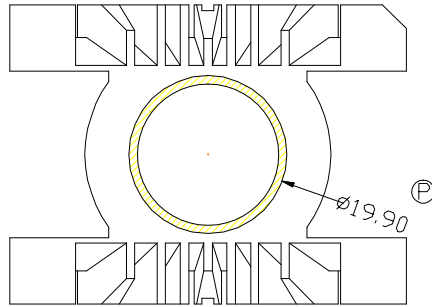
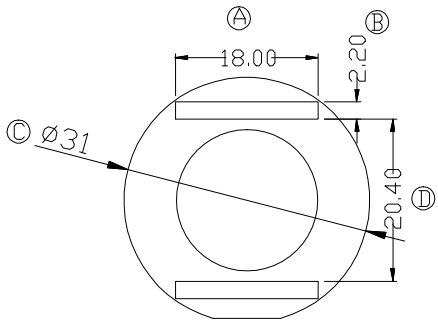


ZX-42Q



REV.	REVISIONS REC.		DATE	REV.	REVISIONS REC.		DATE		
1				4					
2				5					
3				6					
DRAWN & DRAFTED BY		LIU WEI QIANG		TOLERANCES		ANGLE: $\pm 1^\circ$		TITLE: ERL-42(9+9P)	
CHECKED & APPROVED BY		ZHANG YONG		0 < L ≤ 4 ±0.1 4 < L ≤ 16 ±0.2 16 < L ≤ 63 ±0.3		pin pitch ±0.2		UNIT: MM	
SCALE:		DATE: 2018.12.08		BOBBIN MATERIAL: PHENOLIC		PIN MATERIAL: CP WIRE		UL REC. UL 94V-0	
智信电子塑胶有限公司		ZHI XIN ELECTRONICS PLASTIC CO., LTD.		DRAWING NO. ZX-42Q		PIN TENSION LOAD: 1.5KG MIN		REV. A01	
TEL:0769-86389901-2		FAX:0769-86389903							