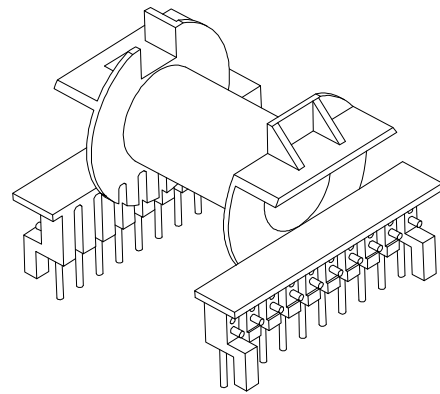
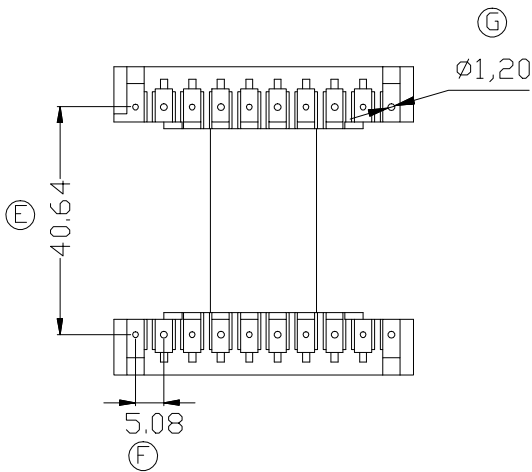
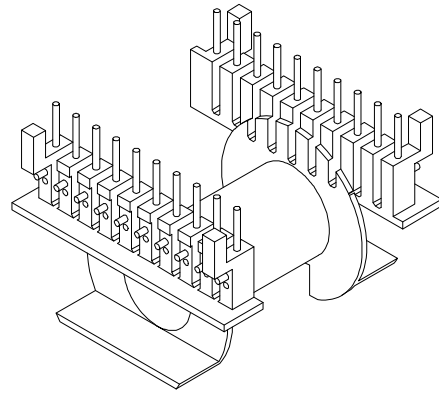
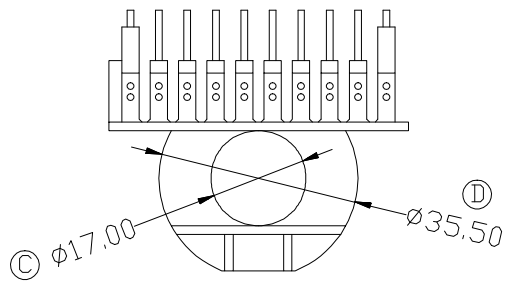
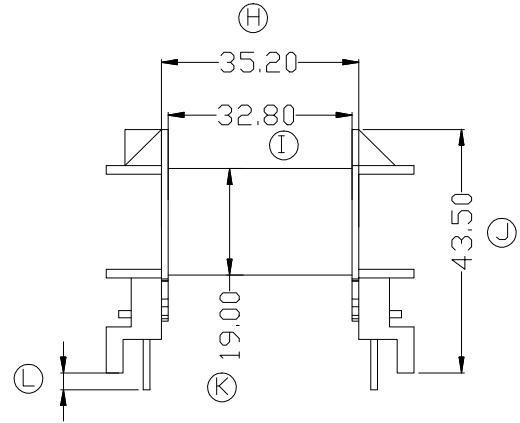
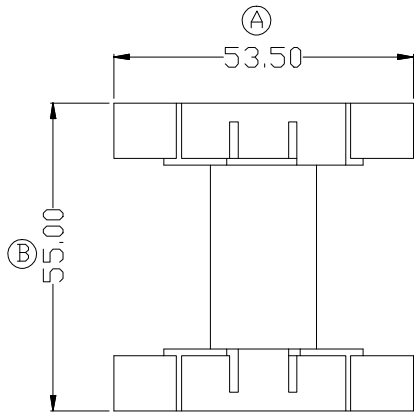


ZX-49D



REV.	REVISIONS REC.		DATE	REV.	REVISIONS REC.		DATE
1				4			
2				5			
3				6			
DRAWN & DRAFTED BY	LIU WEI QIANG	TOLERANCES		ANGLE:	TITLE: ERL-49(10+10P)		
CHECKED & APPROVED BY	ZHANG YONG	0<L≤4 ±0.1	pin pitch ±0.2	UNIT:	BOBBIN MATERIAL: PLASTIC	UL REC. UL 94V-0	
		4<L≤16 ±0.2		MM	PIN MATERIAL: CP WIRE	PIN TENSION LOAD: 1.5KG MIN	
		16<L≤63 ±0.3		SCALE:	DATE: 2018.12.08	DRAWING NO. ZX-49D	REV. A01
智信电子塑胶有限公司 ZHI XIN ELECTRONICS PLASTIC CO., LTD. TEL:0769-86389901-2 FAX:0769-86389903							