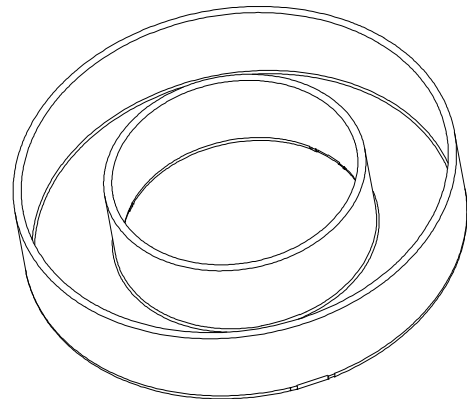
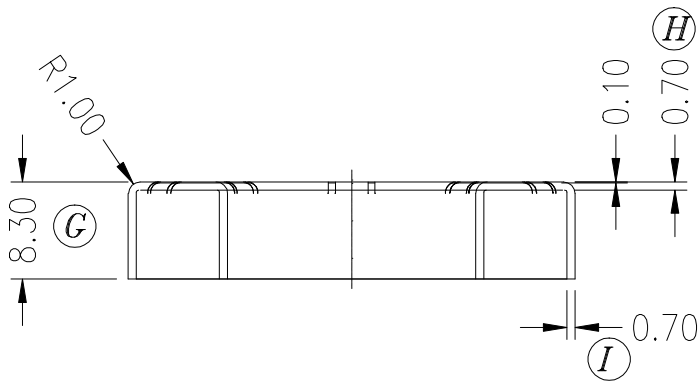
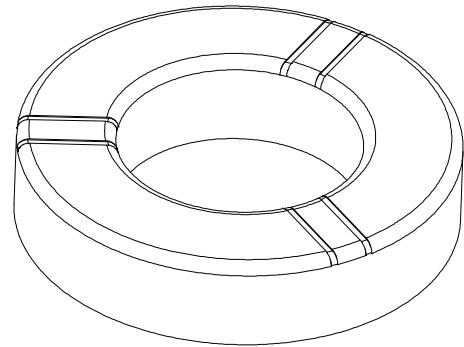
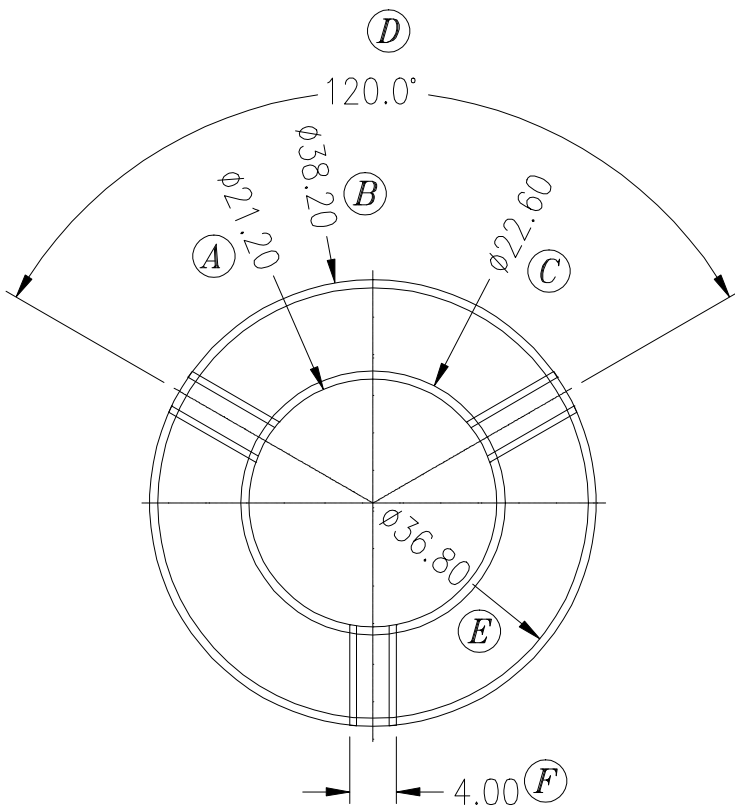


ZX-C030



| REV. | REVISIONS | REC. | DATE | REV. | REVISIONS | REC. | DATE |
|-----------------------|-----------|---------------|------|---------------------|-----------|-----------------------|------|
| 1 | | | | 4 | | | |
| 2 | | | | 5 | | | |
| 3 | | | | 6 | | | |
| DRAWN & DRAFTED BY | | LIU WEI QIANG | | TOLERANCES | | ANGLE: $\pm 1^\circ$ | |
| CHECKED & APPROVED BY | | MA BU JIAN | | pin pitch | | TITLE: CASE | |
| | | | | 0 < L ≤ 4 ±0.1 | | BOBBIN MATERIAL: PA66 | |
| | | | | 4 < L ≤ 16 ±0.2 | | UL REC. UL 94V-0 | |
| | | | | 16 < L ≤ 63 ±0.3 | | PIN TENSION LOAD: | |
| | | | | UNIT: MM | | PIN MATERIAL: | |
| | | | | SCALE: | | DATE: 2006.05.06 | |
| | | | | DRAWING NO. ZX-C030 | | REV. A01 | |



智信电子塑胶有限公司
 ZHI XIN ELECTRONICS PLASTIC CO., LTD.
 TEL: 0769-86389901-2 FAX: 0769-86389903