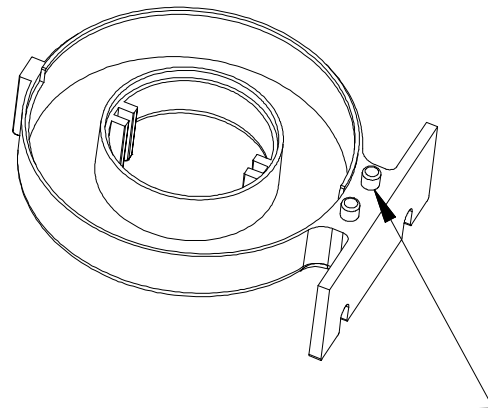
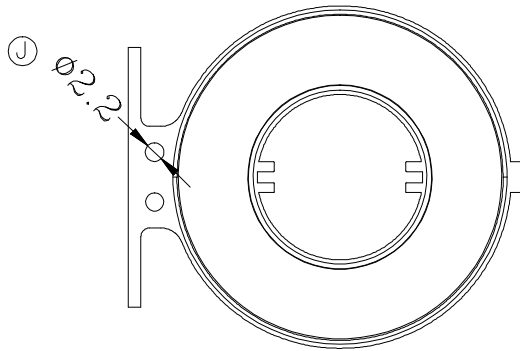
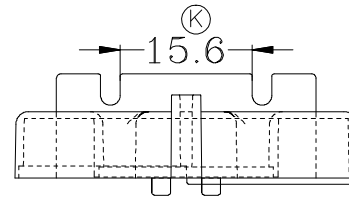
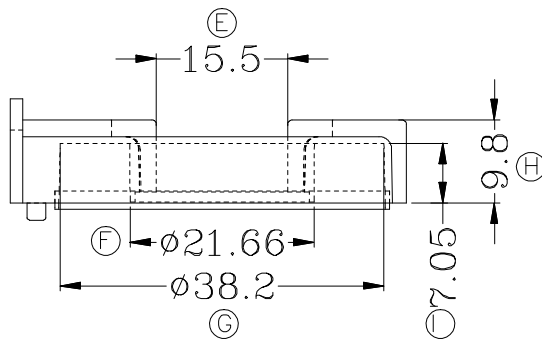
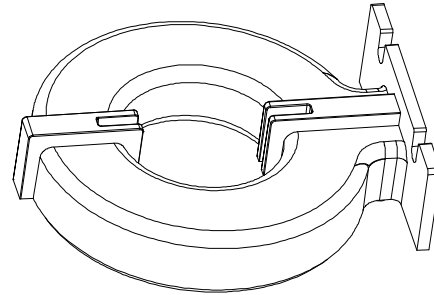
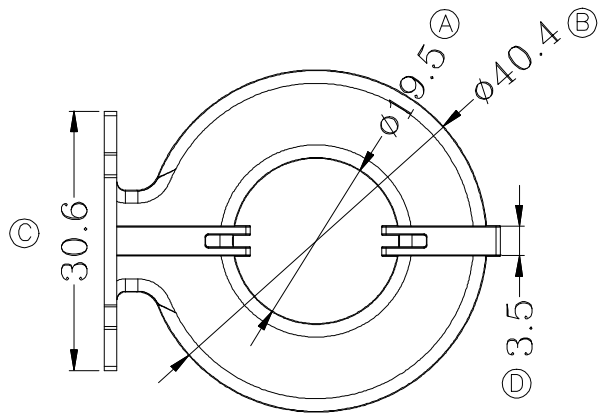


ZX-C052



有凸点

REV.	REVISIONS	REC.	DATE	REV.	REVISIONS	REC.	DATE
1				4			
2				5			
3				6			
DRAWN & DRAFTED BY		LIU WEI QIANG		TOLERANCES		ANGLE: $\pm 1^\circ$	
CHECKED & APPROVED BY		ZHANG YONG		$0 < L \leq 4 \pm 0.1$ $4 < L \leq 16 \pm 0.2$ $16 < L \leq 63 \pm 0.3$		pin pitch ± 0.2 UNIT: MM SCALE:	
TITLE: CASE				BOBBIN MATERIAL: PLASTIC		UL REC. UL 94V-0	
智信电子塑胶有限公司				PIN MATERIAL:		PIN TENSION LOAD:	
ZHI XIN ELECTRONICS PLASTIC CO., LTD.				DATE: 2018.12.08		DRAWING NO. ZX-C052	
TEL:0769-86389901-2 FAX:0769-86389903						REV. A01	