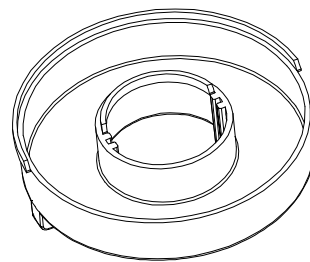
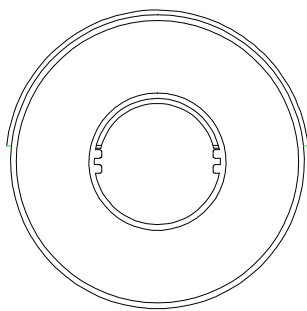
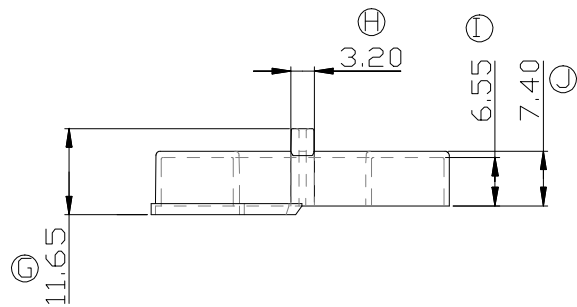
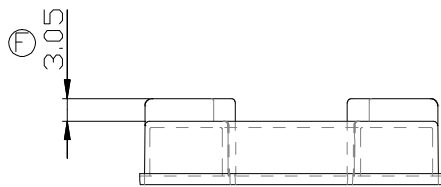
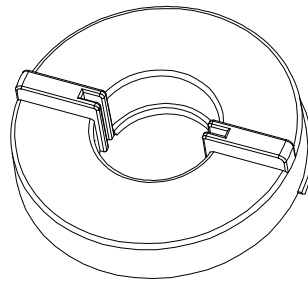
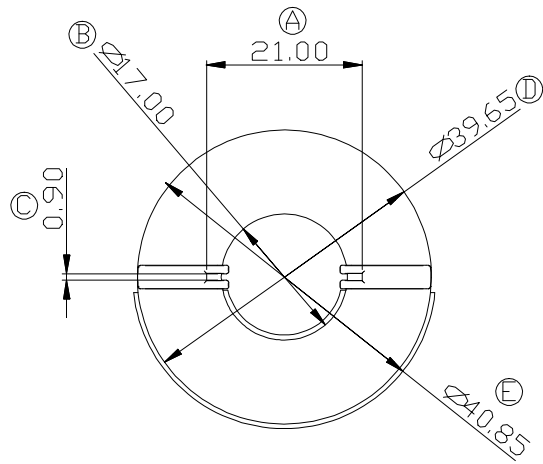


ZX-C054



REV.	REVISIONS	REC.	DATE	REV.	REVISIONS	REC.	DATE
1				4			
2				5			
3				6			
DRAWN & DRAFTED BY		LIU WEI QIANG		TOLERANCES		ANGLE: $\pm 1^\circ$	
CHECKED & APPROVED BY		ZHANG YONG		$0 < L \leq 4 \pm 0.1$ $4 < L \leq 16 \pm 0.2$ $16 < L \leq 63 \pm 0.3$		pin pitch $\pm 0.2$	
TITLE: CASE				UNIT: MM		BOBBIN MATERIAL: PLASTIC	
SCALE:				DATE: 2018.12.08		UL REC. UL 94V-0	
<b>智信电子塑胶有限公司</b> ZHI XIN ELECTRONICS PLASTIC CO., LTD. TEL: 0769-86389901-2 FAX: 0769-86389903				PIN MATERIAL:		PIN TENSION LOAD:	
				DRAWING NO. ZX-C054		REV. A01	