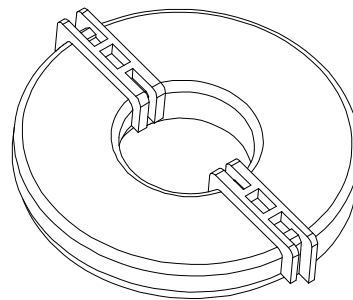
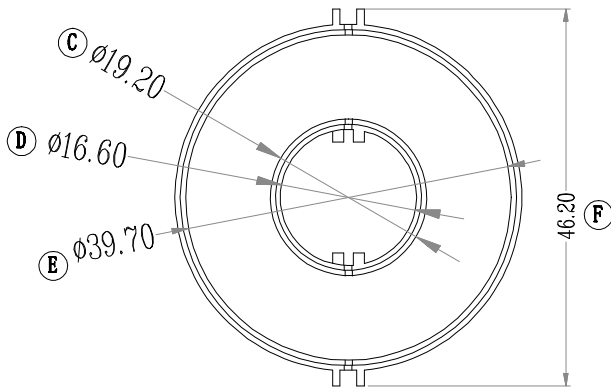
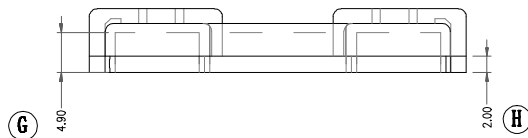
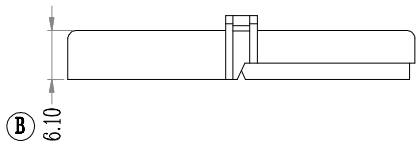
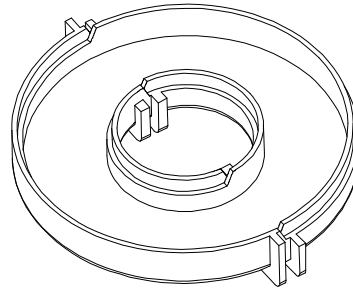
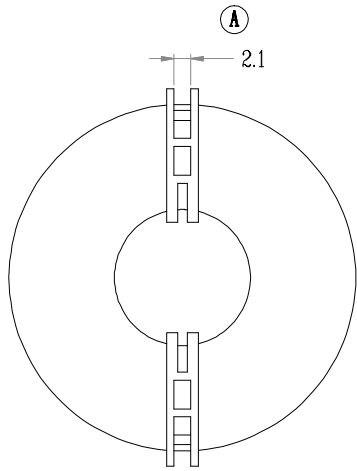


ZX-C055



REV.	REVISIONS	REC.	DATE	REV.	REVISIONS	REC.	DATE							
1				4										
2				5										
3				6										
DRAWN & DRAFTED BY		LIU WEI QIANG		TOLERANCES		ANGLE: $\pm 1^\circ$								
CHECKED & APPROVED BY		ZHANG YONG		<table border="1"> <tr> <td>$0 < L \leq 4$</td> <td>± 0.1</td> <td rowspan="3">pin pitch ± 0.2</td> </tr> <tr> <td>$4 < L \leq 16$</td> <td>± 0.2</td> </tr> <tr> <td>$16 < L \leq 63$</td> <td>± 0.3</td> </tr> </table>		$0 < L \leq 4$	± 0.1	pin pitch ± 0.2	$4 < L \leq 16$	± 0.2	$16 < L \leq 63$	± 0.3	TITLE: 39*20*8外壳	
$0 < L \leq 4$	± 0.1	pin pitch ± 0.2												
$4 < L \leq 16$	± 0.2													
$16 < L \leq 63$	± 0.3													
UNIT: MM				BOBBIN MATERIAL: PBT		UL REC. UL 94V-0								
SCALE:				PIN MATERIAL:		PIN TENSION LOAD:								
		智信电子塑胶有限公司 ZHI XIN ELECTRONICS PLASTIC CO., LTD. TEL:0769-86389901-2 FAX:0769-86389903		DATE: 2018.12.08		DRAWING NO. ZX-C055								
						REV. A01								