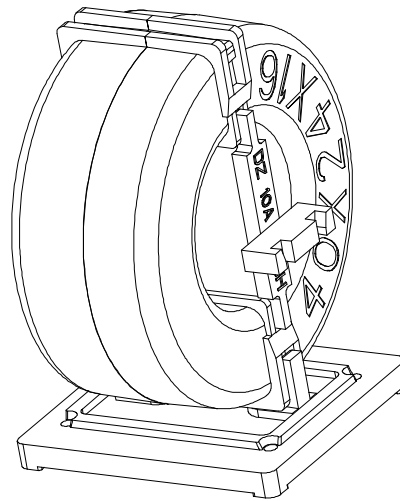
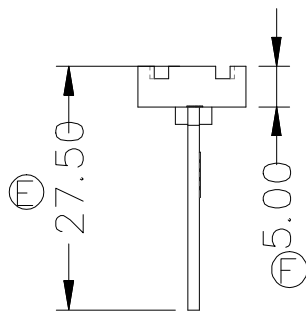
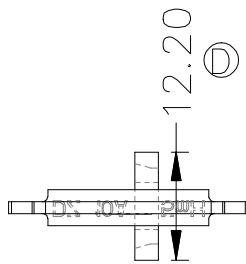
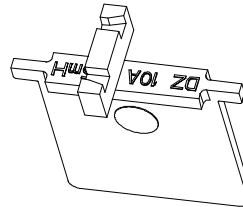
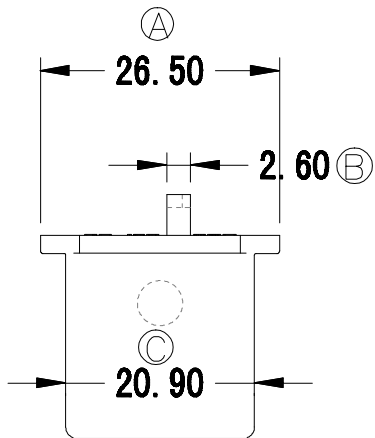


ZX-C056-2



REV.	REVISIONS REC.		DATE	REV.	REVISIONS REC.		DATE		
1				4					
2				5					
3				6					
DRAWN & DRAFTED BY		LIU WEI QIANG		TOLERANCES		ANGLE: ±1°		TITLE: 隔片	
CHECKED & APPROVED BY		ZHANG YONG		0<L≤4 ±0.1 4<L≤16 ±0.2 16<L≤63 ±0.3		pin pitch ±0.2		UNIT: MM	
智信电子塑胶有限公司				SCALE:		PIN MATERIAL:		BOBBIN MATERIAL: PHENOLIC	
ZHI XIN ELECTRONICS PLASTIC CO., LTD.				DATE: 2018.12.08		DRAWING NO. ZX-C056-2		UL REC. UL 94V-0	
TEL:0769-86389901-2 FAX:0769-86389903				PIN TENSION LOAD:		REV. A01			