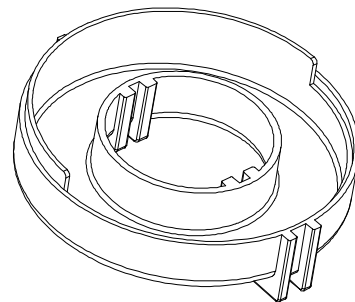
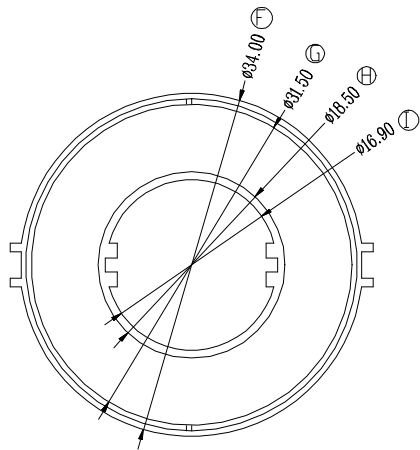
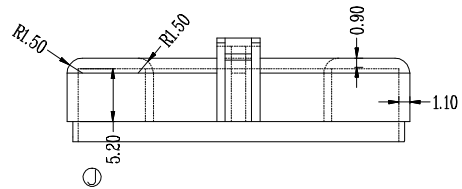
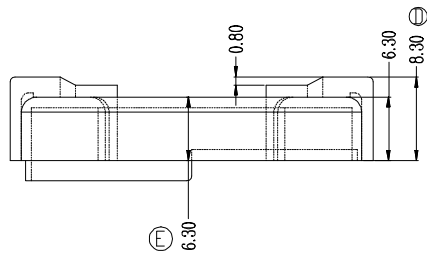
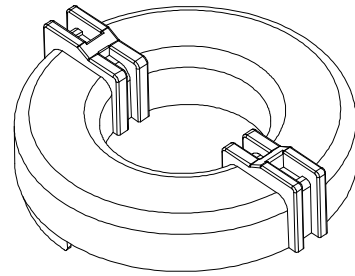
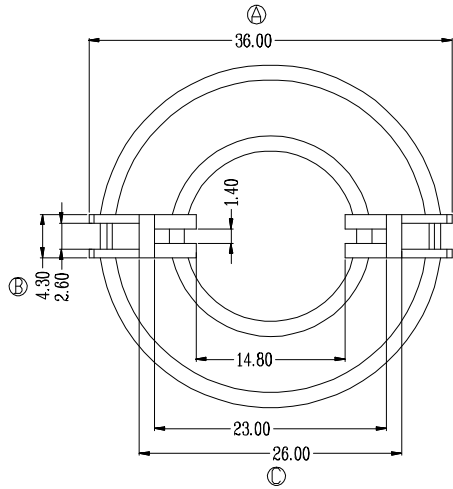


ZX-C058



REV.	REVISIONS REC.		DATE	REV.	REVISIONS REC.		DATE
1				4			
2				5			
3				6			
DRAWN & DRAFTED BY	LIU WEI QIANG	TOLERANCES		ANGLE:	TITLE: 31*19*10外壳		
CHECKED & APPROVED BY	ZHANG YONG	0<L≤4 ±0.1	pin pitch	±1°	BOBBIN MATERIAL:	PLASTIC	UL REC. UL 94V-0
		4<L≤16 ±0.2	±0.2	UNIT:			
		16<L≤63 ±0.3		MM	PIN MATERIAL:		PIN TENSION LOAD:
智信电子塑胶有限公司 ZHI XIN ELECTRONICS PLASTIC CO., LTD. TEL:0769-86389901-2 FAX:0769-86389903				SCALE:	DATE: 2018.12.08	DRAWING NO. ZX-C058	REV. A01