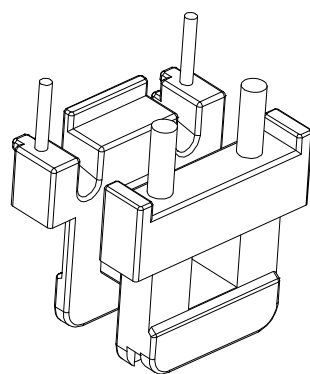
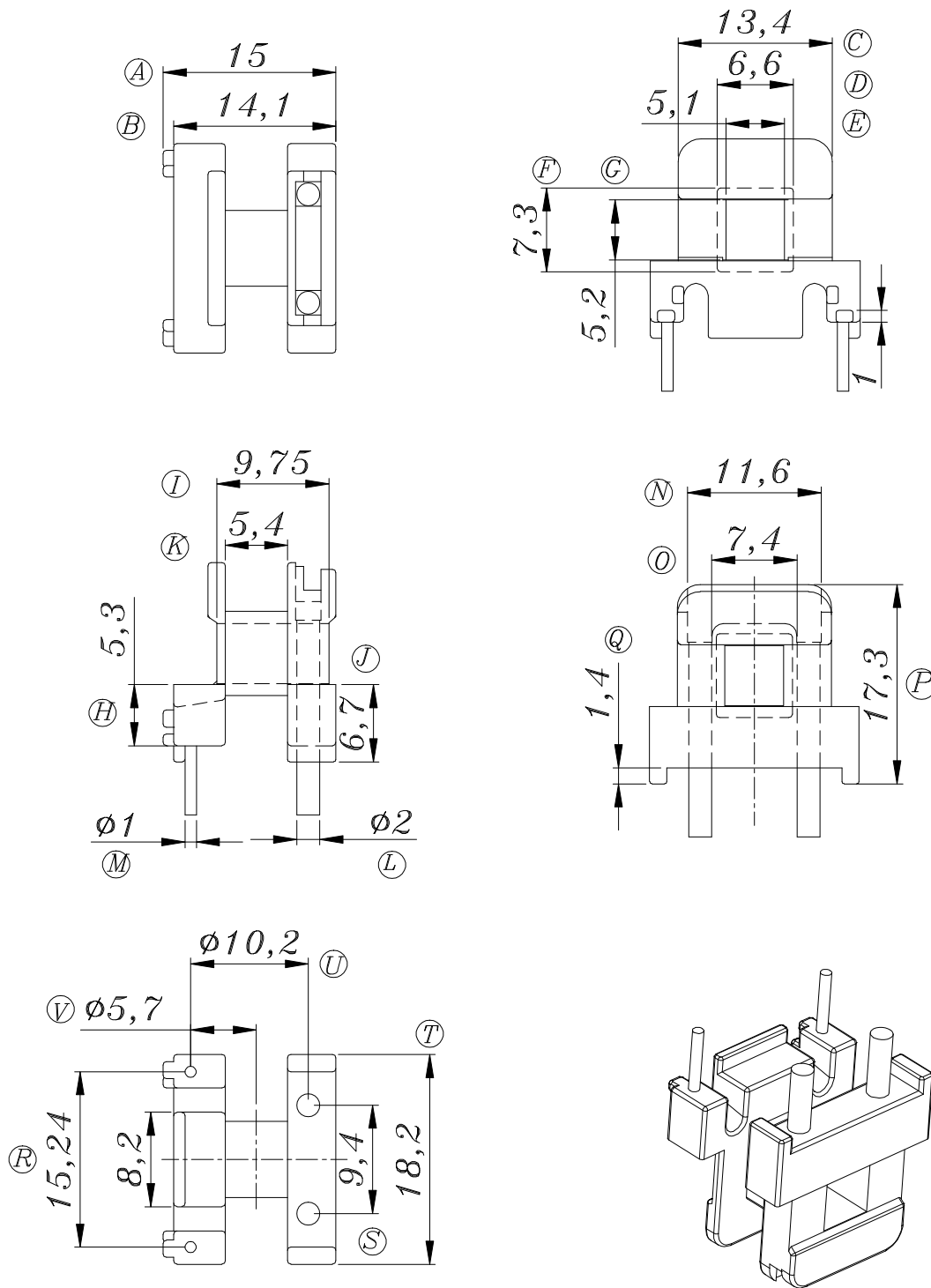


ZX-19BJ



| REV.                  | REVISIONS REC. |   | DATE | REV.  | REVISIONS REC. |                           | DATE |                             |  |
|-----------------------|----------------|---|------|---|----------------|---------------------------|------|-----------------------------|--|
| 1                     |                |   |      | 4   |                |                           |      |                             |  |
| 2                     |                |   |      | 5   |                |                           |      |                             |  |
| 3                     |                |   |      | 6   |                |                           |      |                             |  |
| DRAWN & DRAFTED BY    |                | LIU WEI QIANG   |      | TOLERANCES  |                | ANGLE: $\pm 1^\circ$      |      | TITLE: EI-19(2+2P)          |  |
| CHECKED & APPROVED BY |                | ZHANG YONG  |      | $0 < L \leq 4 \pm 0.1$<br>$4 < L \leq 16 \pm 0.2$<br>$16 < L \leq 63 \pm 0.3$ |                | pin pitch $\pm 0.2$       |      | UNIT: MM                    |  |
|                       |                |   |      | SCALE:  |                | BOBBIN MATERIAL: PHENOLIC |      | UL REC. UL 94V-0            |  |
|                       |                |   |      |   |                | PIN MATERIAL: CP WIRE     |      | PIN TENSION LOAD: 1.5KG MIN |  |
|                       |                | <b>智信电子塑胶有限公司</b><br>ZHI XIN ELECTRONICS PLASTIC CO., LTD.<br>TEL:0769-86389901-2 FAX:0769-86389903 |      |   |                | DATE: 2018.12.08          |      | DRAWING NO. ZX-19BJ         |  |
|                       |                |   |      |   |                |                           |      | REV. A01                    |  |