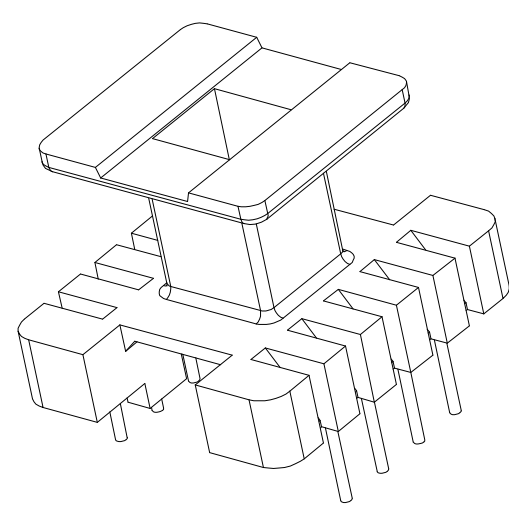
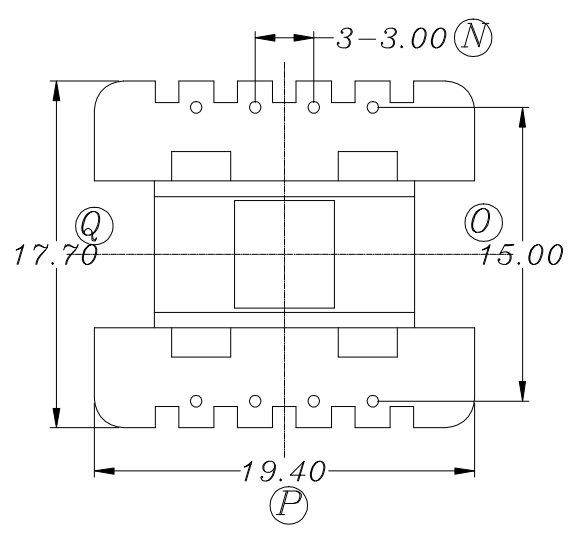
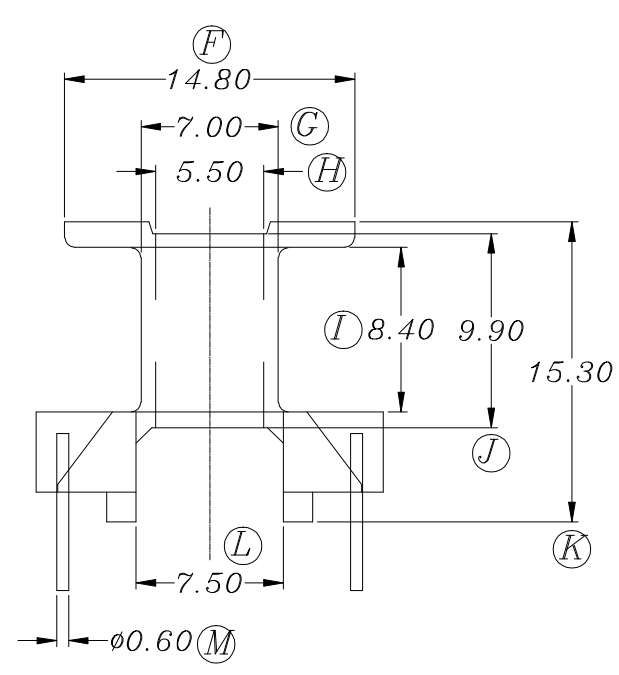
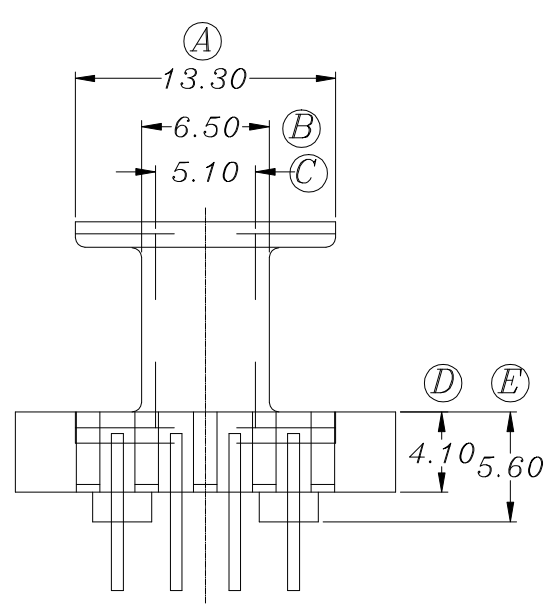


ZX-19BL



REV.	REVISIONS REC.		DATE	REV.	REVISIONS REC.		DATE		
1				4					
2				5					
3				6					
DRAWN & DRAFTED BY		LIU WEI QIANG		TOLERANCES		ANGLE: ±1°		TITLE: EI-19(4+4P)	
CHECKED & APPROVED BY		ZHANG YONG		0 < L ≤ 4 ±0.1		pin pitch ±0.2		BOBBIN MATERIAL: PHENOLIC	
				4 < L ≤ 16 ±0.2				UL REC. UL 94V-0	
				16 < L ≤ 63 ±0.3				PIN MATERIAL: CP WIRE	
								PIN TENSION LOAD: 1.0KG MIN	
								SCALE: DATE: 2018.12.08	
								DRAWING NO. ZX-19BL	
								REV. A01	



智信电子塑胶有限公司
ZHI XIN ELECTRONICS PLASTIC CO., LTD.
 TEL: 0769-86389901-2 FAX: 0769-86389903

