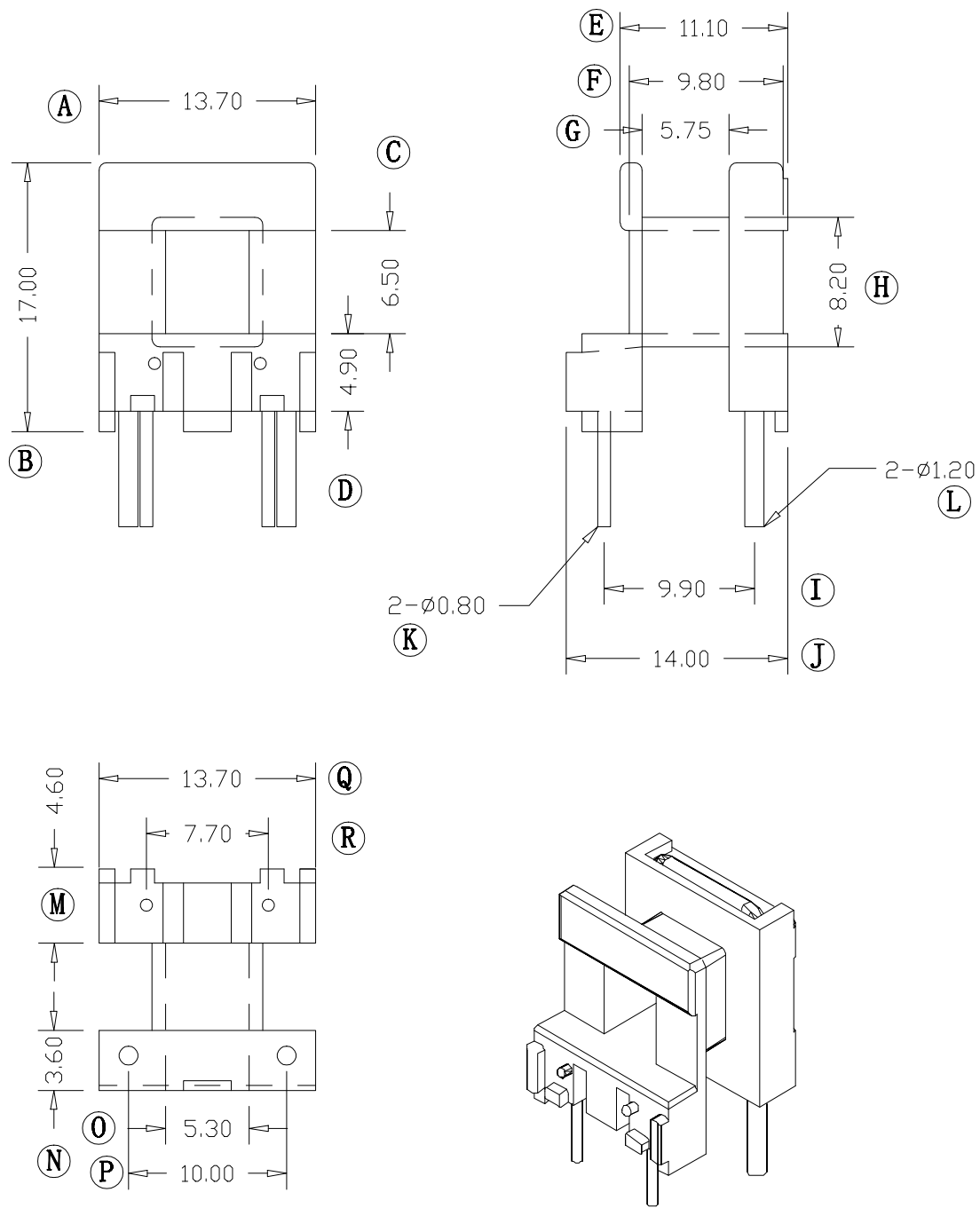


ZX-19F1

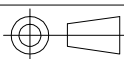


REV.	REVISIONS REC.		DATE	REV.	REVISIONS REC.		DATE
1				4			
2				5			
3				6			
DRAWN & DRAFTED BY		LIU WEI QIANG		TOLERANCES		ANGLE: $\pm 1^\circ$	
CHECKED & APPROVED BY		LI JUN		pin pitch		TITLE: EI-19(2+2P)	
				0<L \leq 4 ± 0.1		BOBBIN MATERIAL: PHENOLIC	
				4<L \leq 16 ± 0.2		UL REC. UL 94V-0	
				16<L \leq 63 ± 0.3		PIN MATERIAL: CP WIRE	
				UNIT: MM		PIN TENSION LOAD: 1.2KG MIN	
				SCALE:		DATE: 2011.07.02	
				DRAWING NO. ZX-19F1		REV. A01	



智信电子塑胶有限公司

ZHI XIN ELECTRONICS PLASTIC CO., LTD.
TEL:0769-86389901-2 FAX:0769-86389903



DATE: 2011.07.02

DRAWING NO.

ZX-19F1

REV. A01