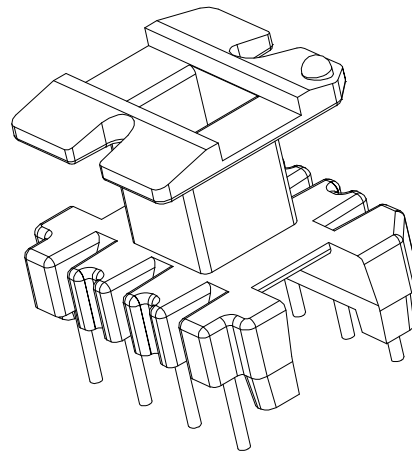
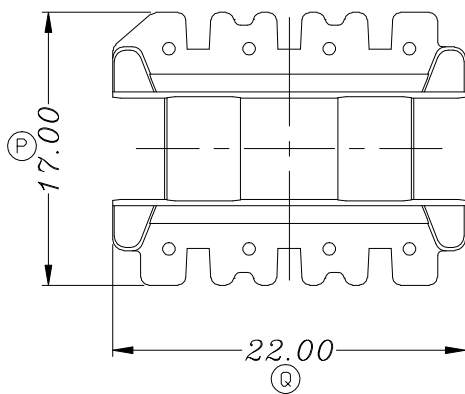
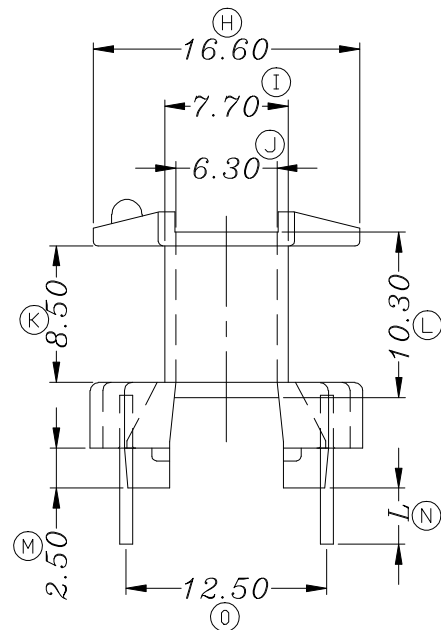
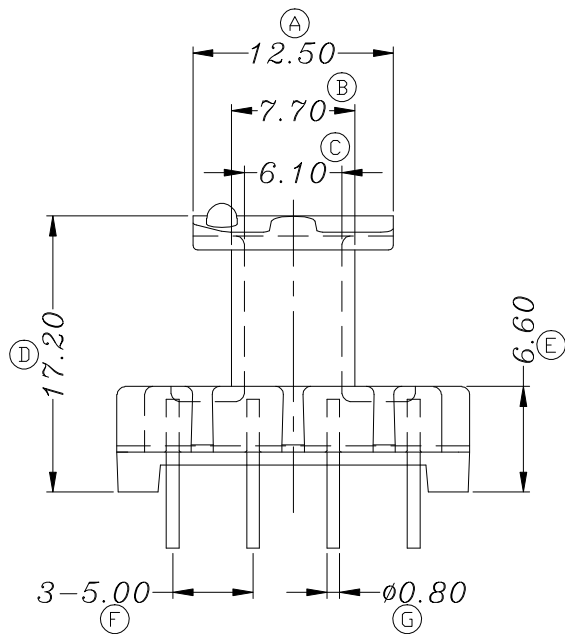


# ZX-22E



REV.	REVISIONS REC.		DATE	REV.	REVISIONS REC.		DATE
1				4			
2				5			
3				6			
DRAWN & DRAFTED BY	LIU WEI QIANG	TOLERANCES		ANGLE:	TITLE: EI-22(4+4P)		
CHECKED & APPROVED BY	MA BU JIAN	0<L≤4 ±0.1	pin pitch ±0.2	UNIT:	BOBBIN MATERIAL: PHENOLIC	UL REC. UL 94V-0	
		4<L≤16 ±0.2		MM	PIN MATERIAL: CP WIRE	PIN TENSION LOAD: 1.2KG MIN	
SCALE:				DATE:	DRAWING NO.	REV.	
<b>智信电子塑胶有限公司</b> ZHI XIN ELECTRONICS PLASTIC CO., LTD. TEL:0769-86389901-2 FAX:0769-86389903				2007.09.12	ZX-22E	A01	