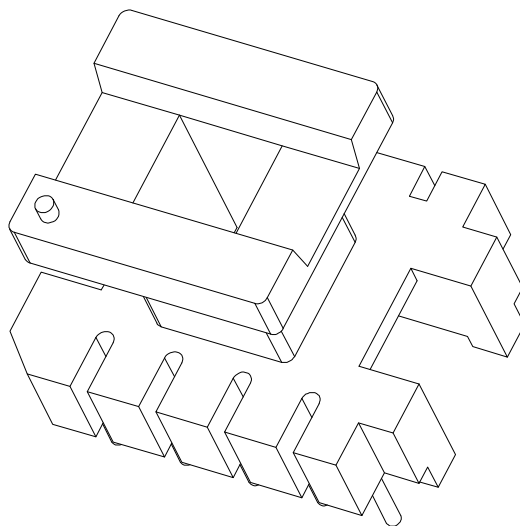
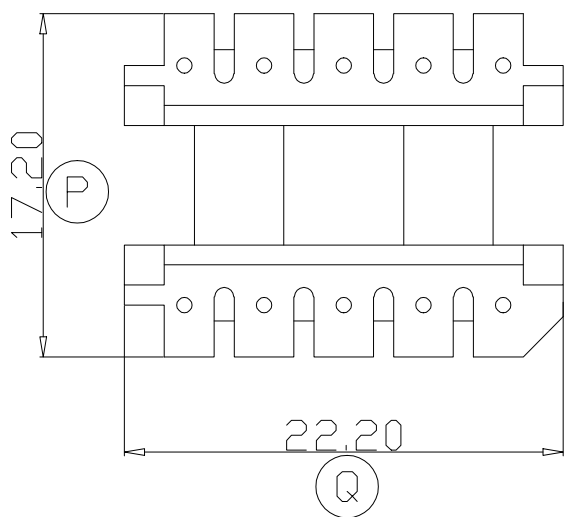
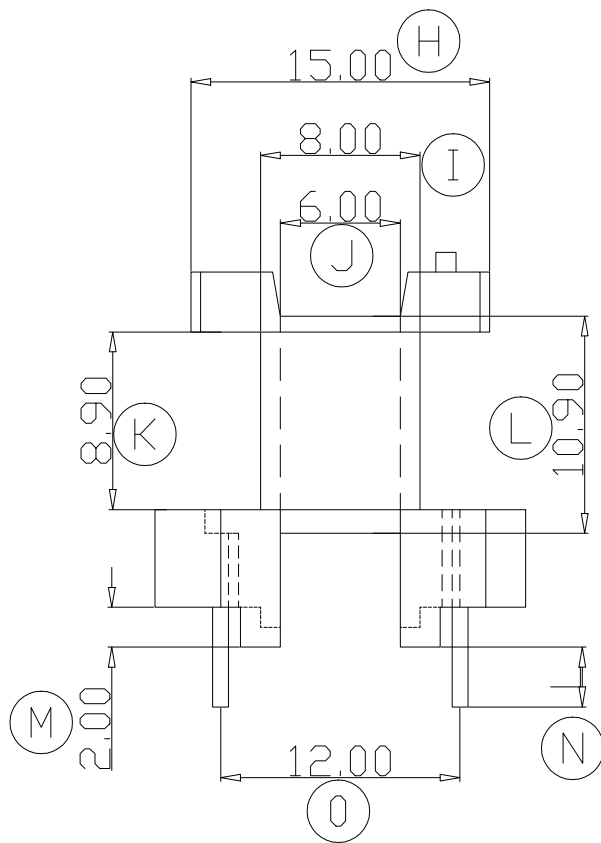
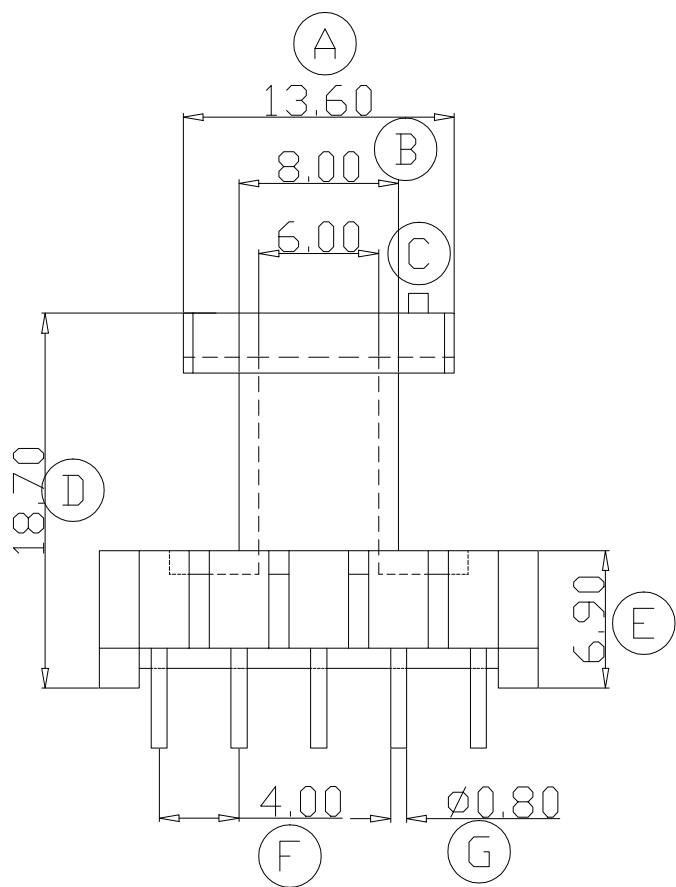


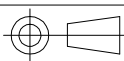
ZX-22F



REV.	REVISIONS REC.		DATE	REV.	REVISIONS REC.		DATE
1				4			
2				5			
3				6			
DRAWN & DRAFTED BY	LIU WEI QIANG	TOLERANCES		ANGLE:	TITLE:		
CHECKED & APPROVED BY	MA BU JIAN	0<L≤4 ±0.1	pin pitch	±1°	EI-22(5+5P)		
		4<L≤16 ±0.2	±0.2	UNIT:	BOBBIN MATERIAL:	UL REC.	
		16<L≤63 ±0.3		MM	PHENOLIC	UL 94V-0	
				SCALE:	PIN MATERIAL:	PIN TENSION LOAD:	
					CP WIRE	1.2kg MIN.	
					DATE:	DRAWING NO.	REV.
					2004.09.14	ZX-22F	A01



智信电子塑胶有限公司
ZHI XIN ELECTRONICS PLASTIC CO., LTD.
 TEL:0769-86389901-2 FAX:0769-86389903



DATE: 2004.09.14

DRAWING NO. ZX-22F

REV. A01