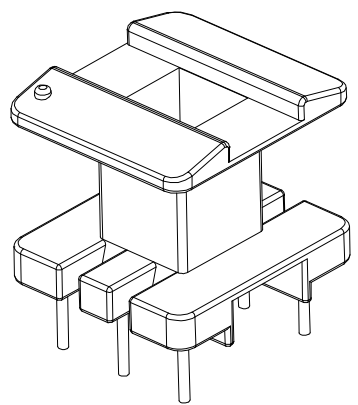
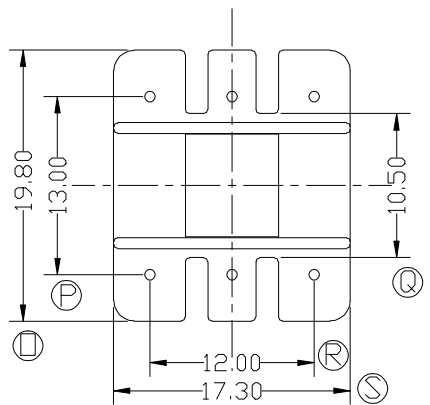
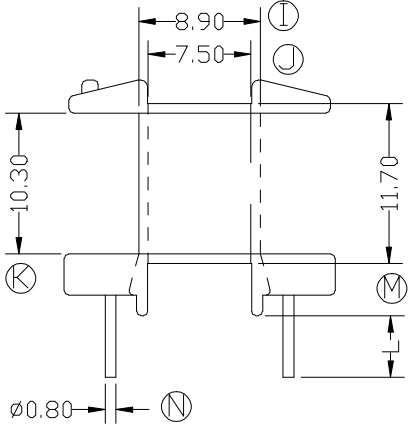
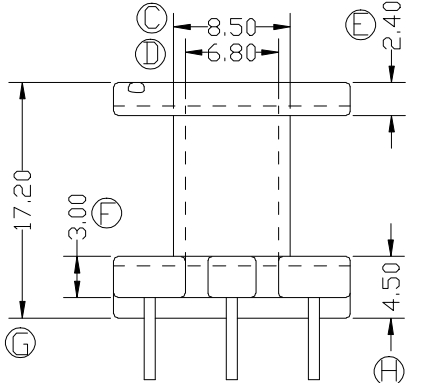
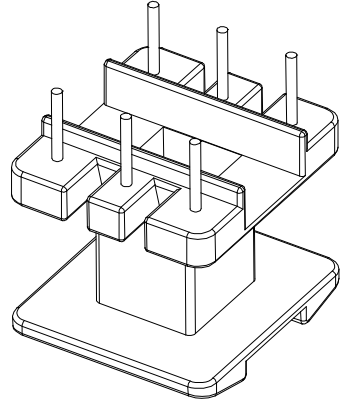
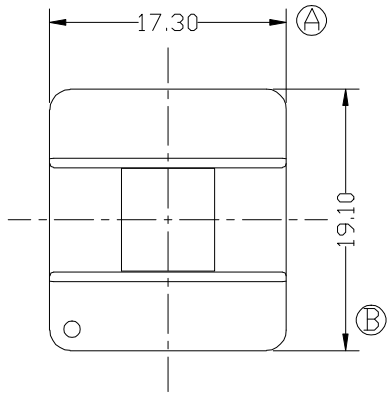


ZX-24H



| REV. | REVISIONS REC. | | DATE | REV. | REVISIONS REC. | | DATE |
|---|----------------|---------------|------------------|------------------|----------------------|-----------------------|-----------------------------|
| 1 | | | | 4 | | | |
| 2 | | | | 5 | | | |
| 3 | | | | 6 | | | |
| DRAWN & DRAFTED BY | | LIU WEI QIANG | TOLERANCES | | ANGLE: $\pm 1^\circ$ | | TITLE: EI-24(3+3P) |
| CHECKED & APPROVED BY | | LI JUN | 0 < L ≤ 4 ±0.1 | pin pitch ±0.2 | UNIT: MM | | BOBBIN MATERIAL: PHENOLIC |
| | | | 4 < L ≤ 16 ±0.2 | | | | UL REC. UL 94V-0 |
| | | | 16 < L ≤ 63 ±0.3 | SCALE: | | PIN MATERIAL: CP WIRE | PIN TENSION LOAD: 1.2KG MIN |
| 智信电子塑胶有限公司 ZHI XIN ELECTRONICS PLASTIC CO., LTD. TEL:0769-86389901-2 FAX:0769-86389903 | | | | DATE: 2010.08.12 | DRAWING NO. ZX-24H | REV. A01 | |