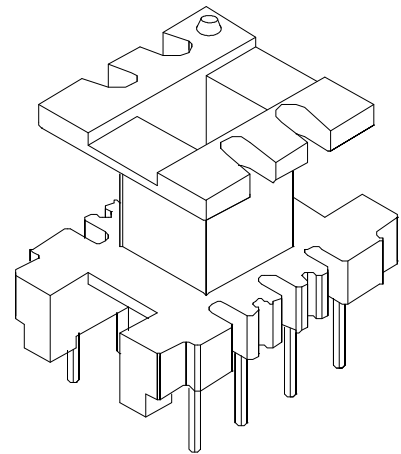
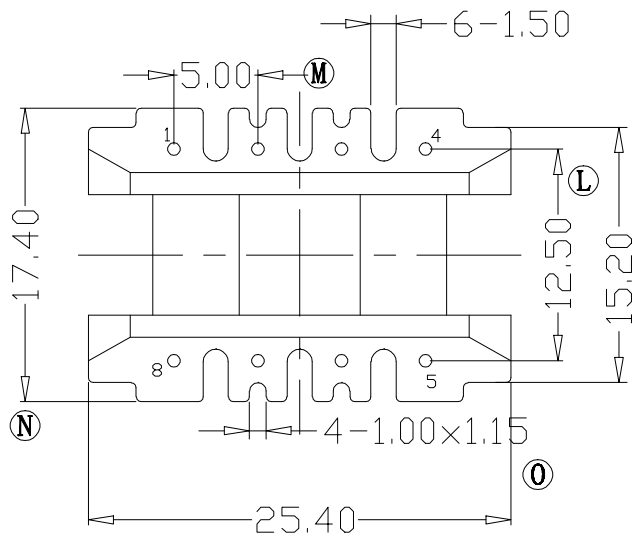
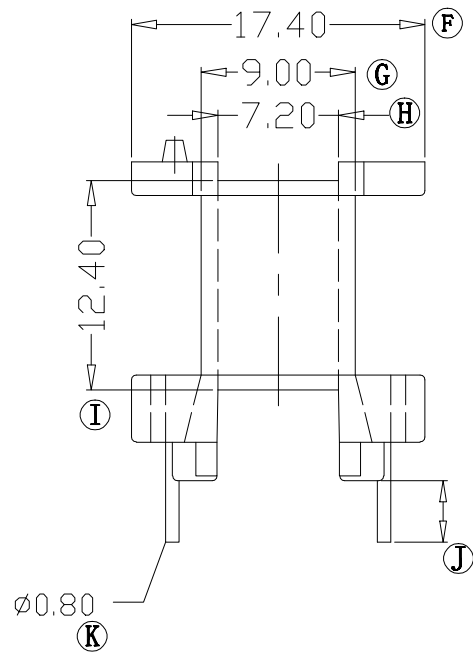
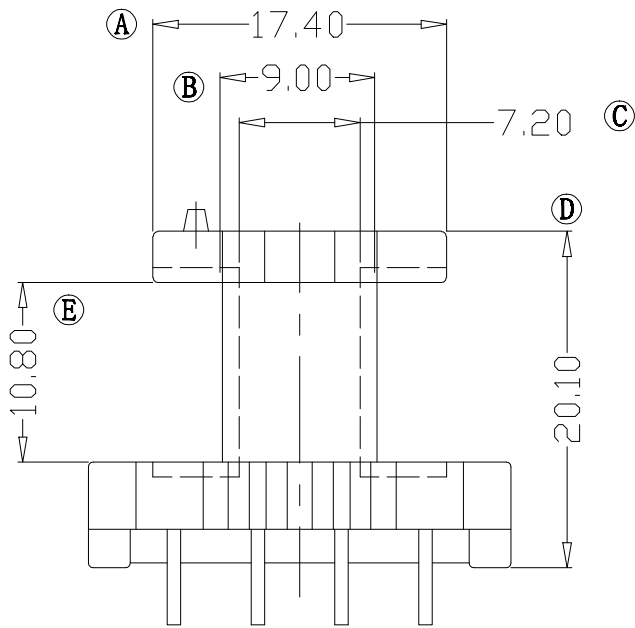


# ZX-25D1



REV.	REVISIONS REC.		DATE	REV.	REVISIONS REC.		DATE
1				4			
2				5			
3				6			
DRAWN & DRAFTED BY		LIU WEI QIANG		TOLERANCES		ANGLE: $\pm 1^\circ$	
CHECKED & APPROVED BY		MA BU JIAN		pin pitch		TITLE: EI-25(4+4P)	
				0 < L ≤ 4 ±0.1		BOBBIN MATERIAL: PHENOLIC	
				4 < L ≤ 16 ±0.2		UL REC. UL 94V-0	
				16 < L ≤ 63 ±0.3		PIN MATERIAL: CP WIRE	
				UNIT: MM		PIN TENSION LOAD: 1.2KG MIN	
				SCALE:		DATE: 2012.11.20	
				DRAWING NO. ZX-25D1		REV. A01	