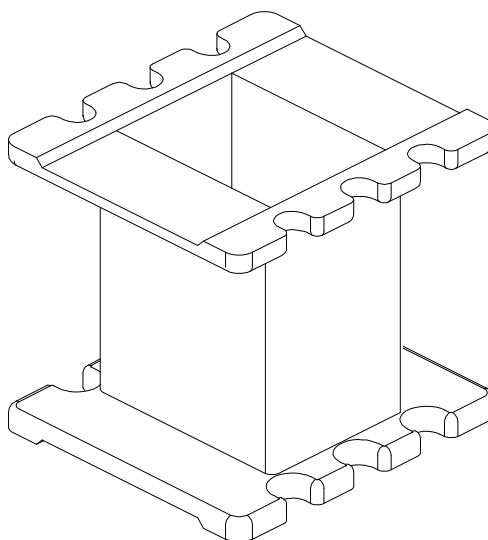
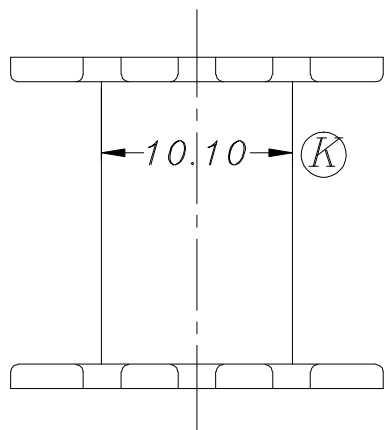
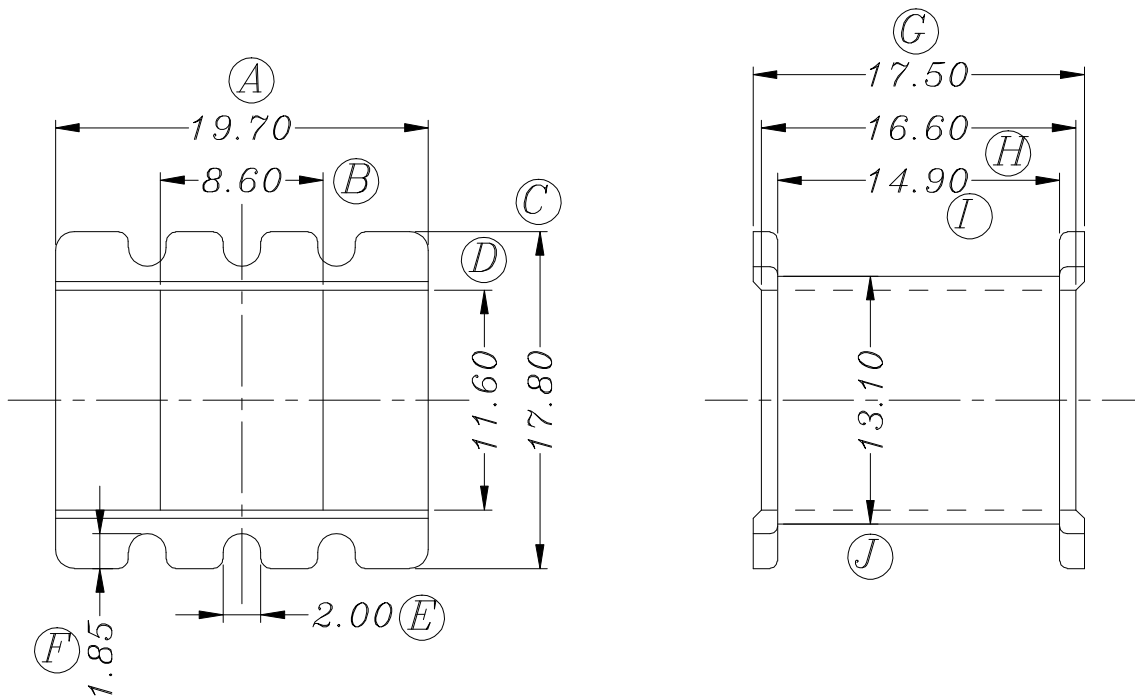


ZX-28AB

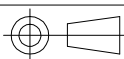


REV.	REVISIONS REC.		DATE	REV.	REVISIONS REC.		DATE
1				4			
2				5			
3				6			
DRAWN & DRAFTED BY		LIU WEI QIANG		TOLERANCES		ANGLE: $\pm 1^\circ$	
CHECKED & APPROVED BY		MA BU JIAN		PIN PITBH ± 0.2		TITLE: EI-28	
				UNIT: MM		BOBBIN MATERIAL: PA66	
				SCALE:		UL REC. UL 94V-0	
				DATE: 2010.09.13		PIN TENSION LOAD:	
				DRAWING NO. ZX-28AB		REV. A01	



智信电子塑胶有限公司

ZHI XIN ELECTRONICS PLASTIC CO., LTD.
TEL:0769-86389901-2 FAX:0769-86389903



DATE: 2010.09.13

DRAWING NO. ZX-28AB

REV. A01