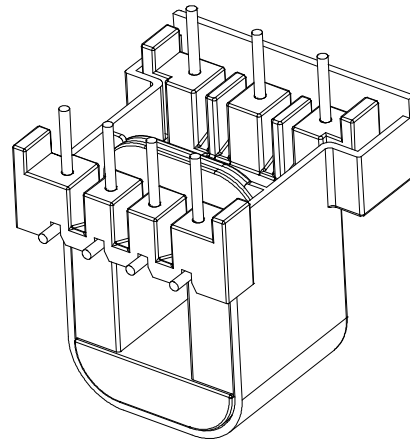
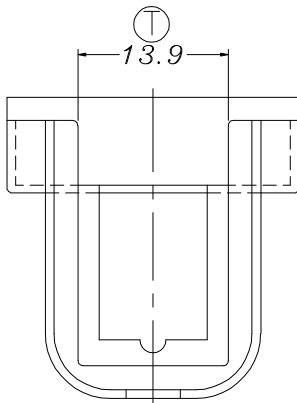
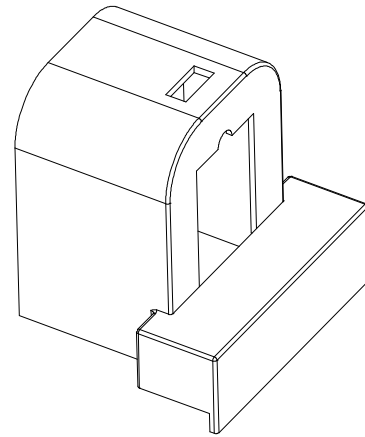
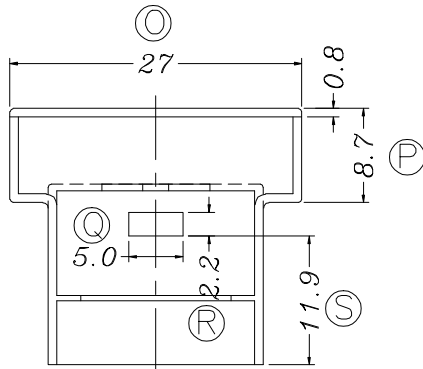
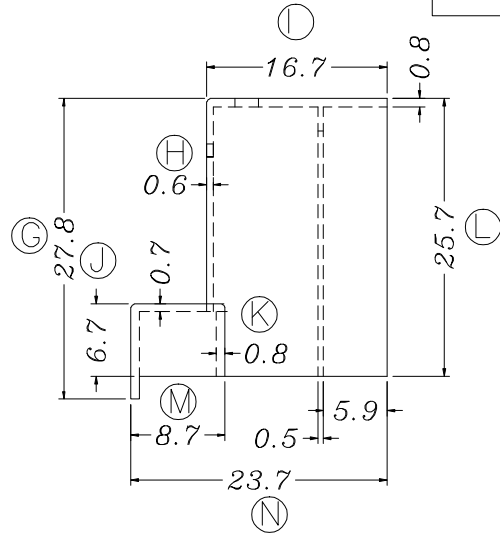
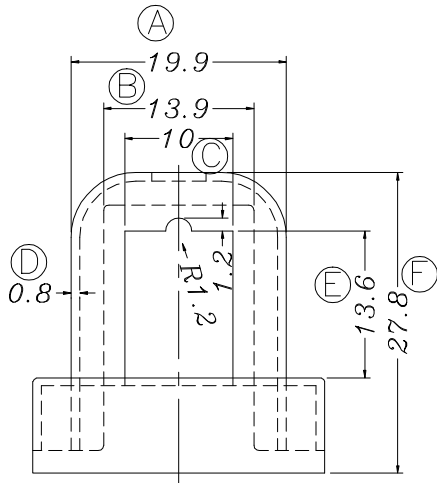


ZX-28AD1



REV.	REVISIONS	REC.	DATE	REV.	REVISIONS	REC.	DATE
1				4			
2				5			
3				6			
DRAWN & DRAFTED BY	LIU WEI QIANG	TOLERANCES		ANGLE:	TITLE: <b>EI-28 COVER</b>		
CHECKED & APPROVED BY	MA BU JIAN	$0.4 \leq 4 \pm 0.10$	PIN PITBH $\pm 0.2$	$\pm 1^\circ$	BOBBIN MATERIAL: <b>PA66</b>	UL REC. UL 94V-0	
		$4 < L \leq 16 \pm 0.20$		UNIT: MM	PIN MATERIAL:	PIN TENSION LOAD:	
		$16 < L \leq 63 \pm 0.30$		SCALE:			
<b>智信电子塑胶有限公司</b> ZHI XIN ELECTRONICS PLASTIC CO., LTD. TEL:0769-86389901-2 FAX:0769-86389903				DATE: 2011.09.18	DRAWING NO. ZX-28AD1		REV. A01