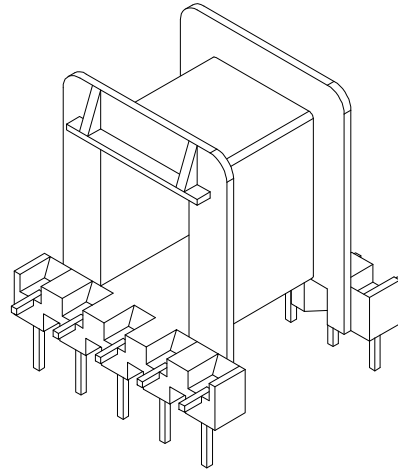
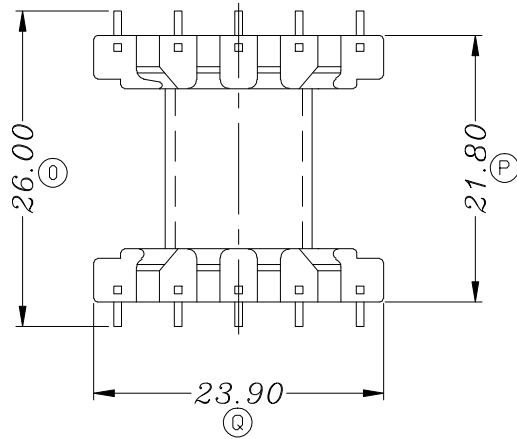
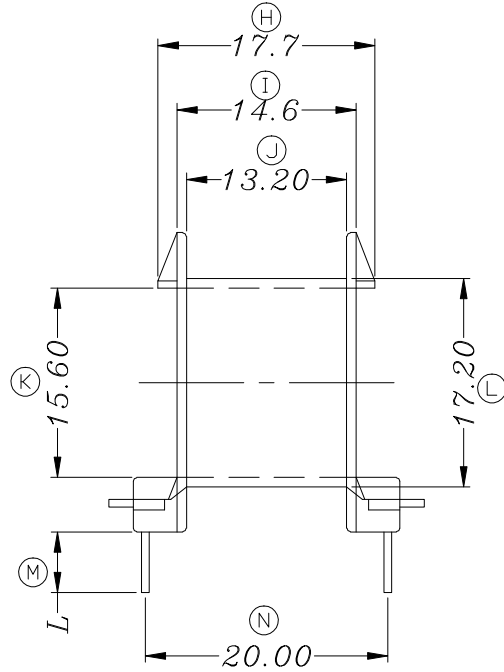
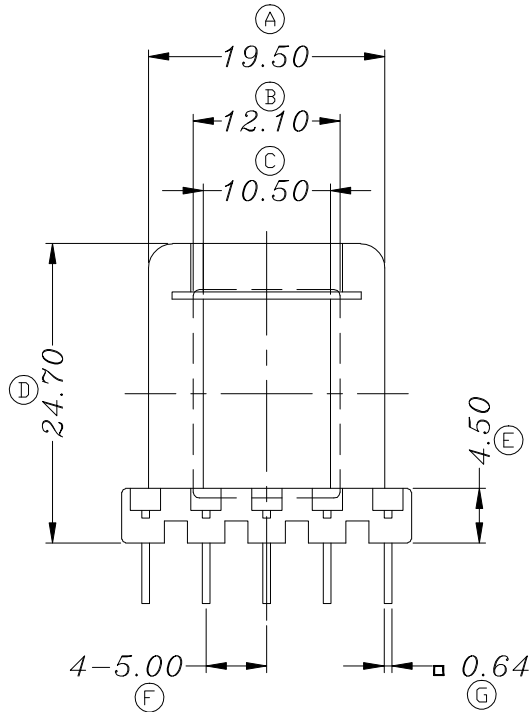


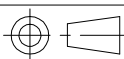
ZX-30B1



REV.	REVISIONS REC.		DATE	REV.	REVISIONS REC.		DATE
1				4			
2				5			
3				6			
DRAWN & DRAFTED BY		LIU WEI QIANG	TOLERANCES		ANGLE:		TITLE:
CHECKED & APPROVED BY		MA BU JIAN	0 < L ≤ 4 ±0.1	pin pitch	±1°		EI-30(5+5P)
			4 < L ≤ 16 ±0.2	±0.2	UNIT:	BOBBIN MATERIAL:	
			16 < L ≤ 63 ±0.3		MM	PBT	UL REC. UL 94V-0
					SCALE:	PIN MATERIAL:	PIN TENSION LOAD:
						CP WIRE	1.0KG MIN
						DATE:	DRAWING NO.
						2010.06.09	ZX-30B1
							REV. A01



智信电子塑胶有限公司
ZHI XIN ELECTRONICS PLASTIC CO., LTD.
 TEL:0769-86389901-2 FAX:0769-86389903



DATE: 2010.06.09

DRAWING NO. ZX-30B1

REV. A01