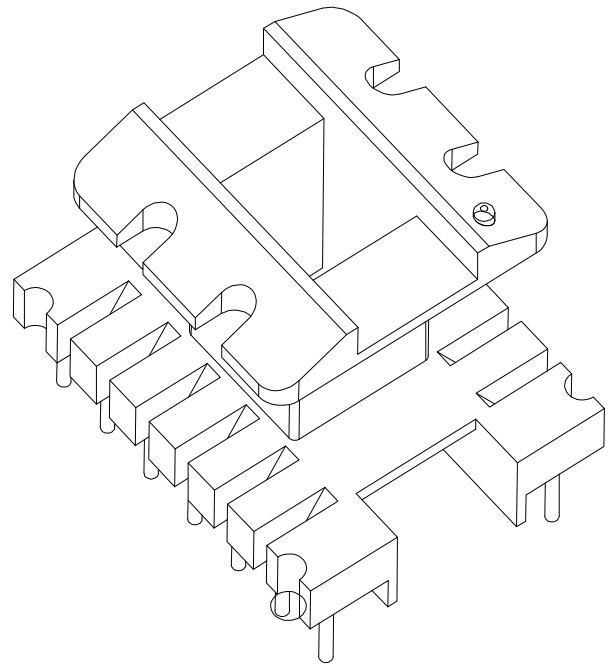
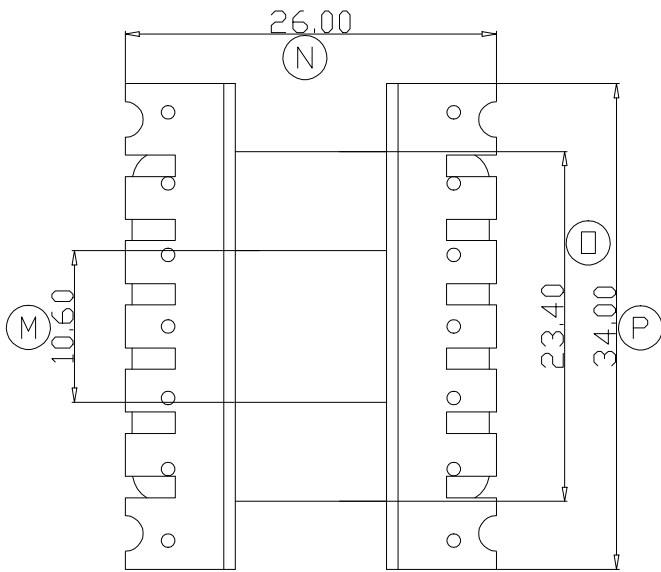
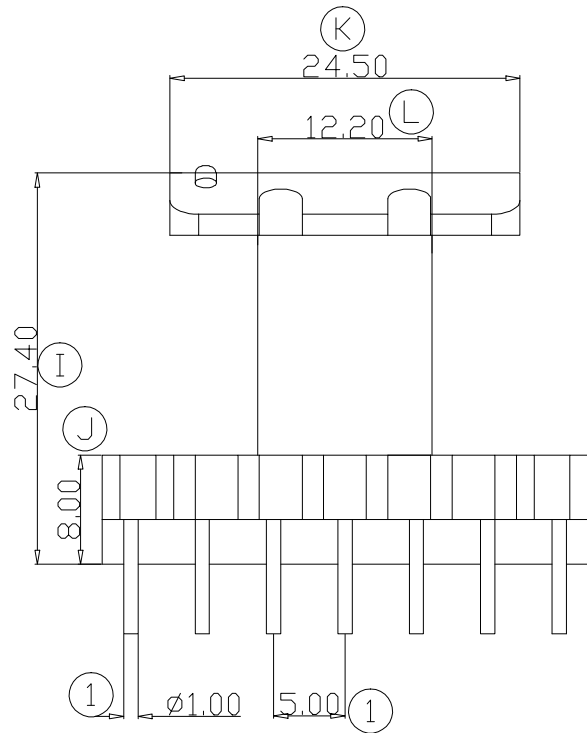
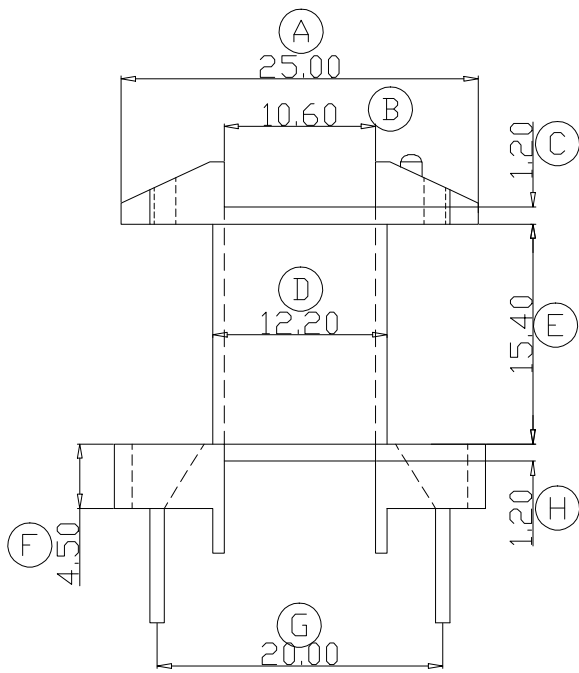


ZX-35L



REV.	REVISIONS REC.		DATE	REV.	REVISIONS REC.		DATE
1				4			
2				5			
3				6			
DRAWN & DRAFTED BY		LIU WEI QIANG	TOLERANCES		ANGLE:	TITLE: EI-35(7+7P)	
CHECKED & APPROVED BY		MA BU JIAN	$0 < L \leq 4 \pm 0.1$ $4 < L \leq 16 \pm 0.2$ $16 < L \leq 63 \pm 0.3$	pin pitch ± 0.2	$\pm 1^\circ$	BOBBIN MATERIAL: PHENOLIC	
					UNIT: MM	UL REC. UL 94V-0	
					SCALE:	PIN MATERIAL: CP WIRE	PIN TENSION LOAD: 1.2kg MIN.
					DATE: 2004.09.29	DRAWING NO. ZX-35L	REV. A01



智信电子塑胶有限公司
ZHI XIN ELECTRONICS PLASTIC CO., LTD.
 TEL: 0769-86389901-2 FAX: 0769-86389903