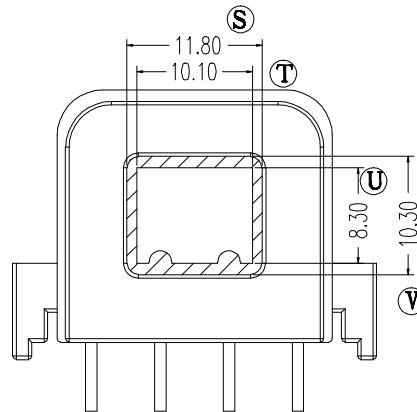
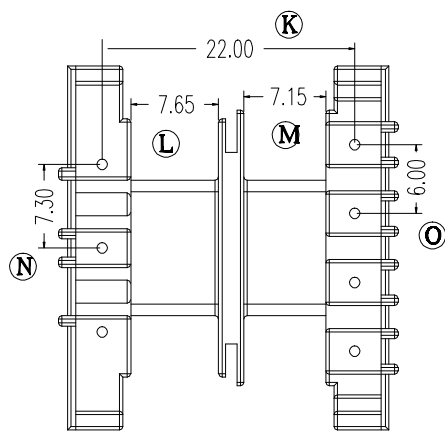
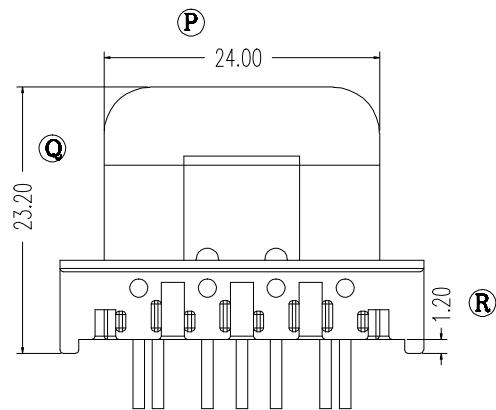
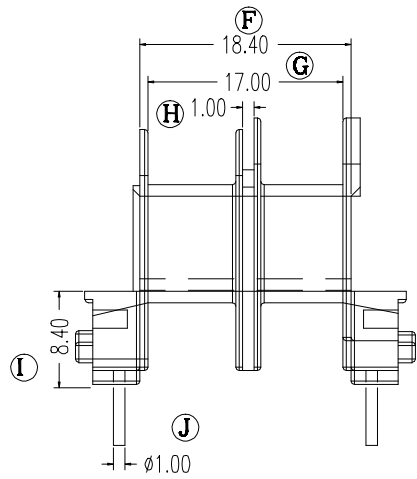
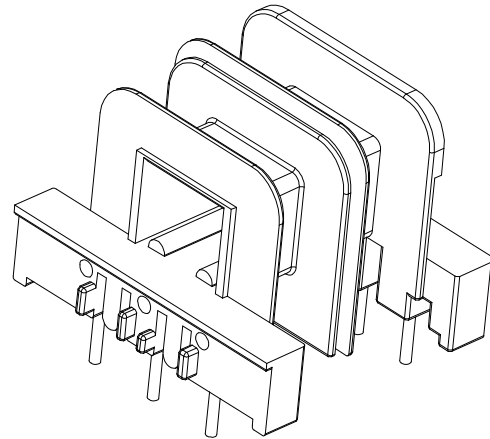
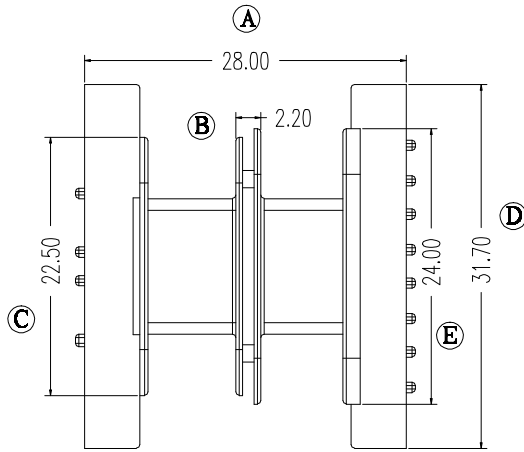


ZX-35N



对应的ZX-35N1

| REV. | REVISIONS | REC. | DATE | REV. | REVISIONS | REC. | DATE |
|-----------------------|---------------|--------------|----------------|--------|---------------------------|-----------------------------|----------|
| 1 | | | | 4 | | | |
| 2 | | | | 5 | | | |
| 3 | | | | 6 | | | |
| DRAWN & DRAFTED BY | LIU WEI QIANG | TOLERANCES | | ANGLE: | TITLE: EI-35(4+3P)2S | | |
| CHECKED & APPROVED BY | MA BU JIAN | 0<L≤4 ±0.1 | pin pitch ±0.2 | UNIT: | BOBBIN MATERIAL: PHENOLIC | UL REC. UL 94V-0 | |
| | | 4<L≤16 ±0.2 | | SCALE: | PIN MATERIAL: CP WIRE | PIN TENSION LOAD: 1.5KG MIN | |
| | | 16<L≤63 ±0.3 | | | DATE: 2007.05.12 | DRAWING NO. ZX-35N | REV. A01 |



智信电子塑胶有限公司

ZHI XIN ELECTRONICS PLASTIC CO., LTD.
TEL:0769-86389901-2 FAX:0769-86389903

