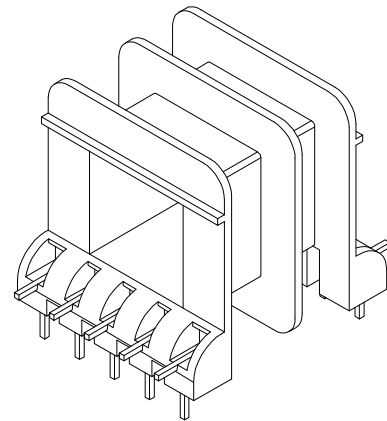
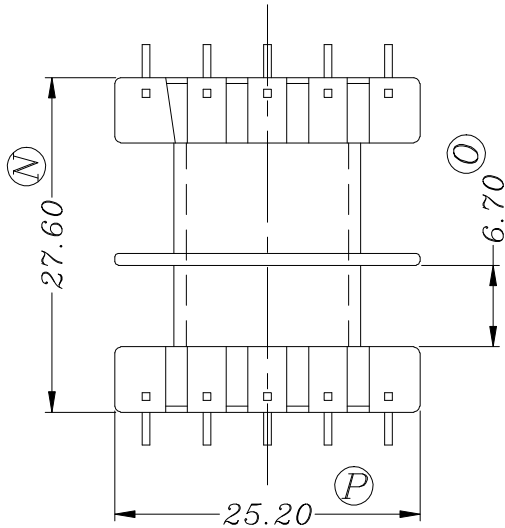
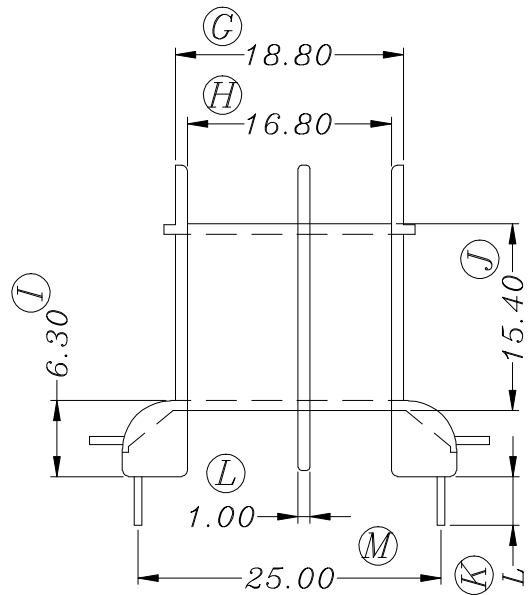
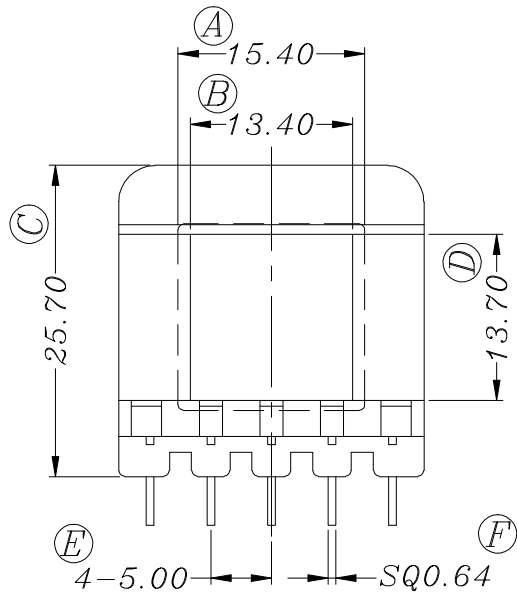


ZX-38A



对应的ZX-38B

REV.	REVISIONS REC.		DATE	REV.	REVISIONS REC.		DATE
1				4			
2				5			
3				6			
DRAWN & DRAFTED BY	LIU WEI QIANG	TOLERANCES		ANGLE:	TITLE: EI-38(5+5P)2S		
CHECKED & APPROVED BY	LI JUN	0<L≤4 ±0.1	pin pitch	±1°	BOBBIN MATERIAL:	PBT	UL REC. UL 94V-0
		4<L≤16 ±0.2	±0.2	UNIT:	MM	PIN MATERIAL:	CP WIRE
		16<L≤63 ±0.3		SCALE:		PIN TENSION LOAD:	1.5KG MIN
智信电子塑胶有限公司 ZHI XIN ELECTRONICS PLASTIC CO., LTD. TEL:0769-86389901-2 FAX:0769-86389903				DATE:	2010.05.11	DRAWING NO.	ZX-38A
						REV.	A01