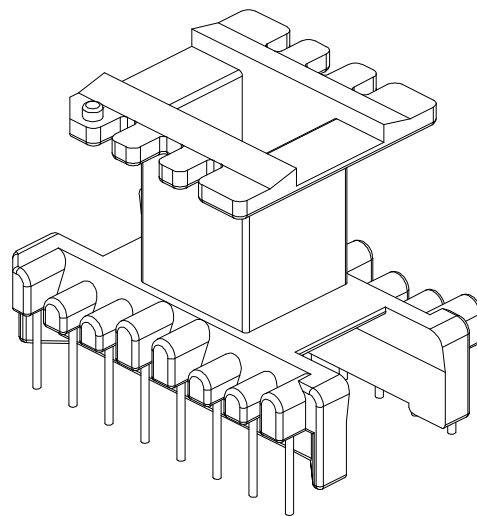
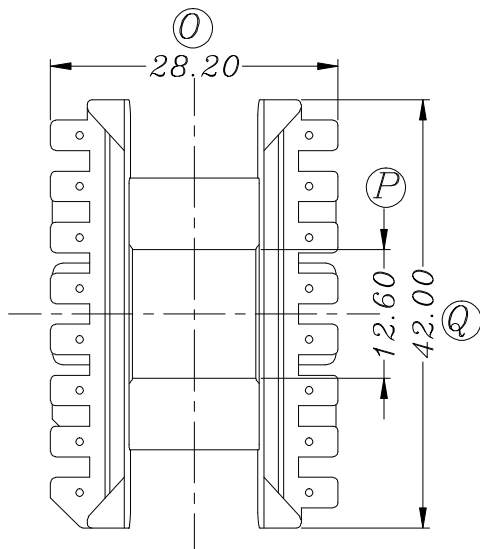
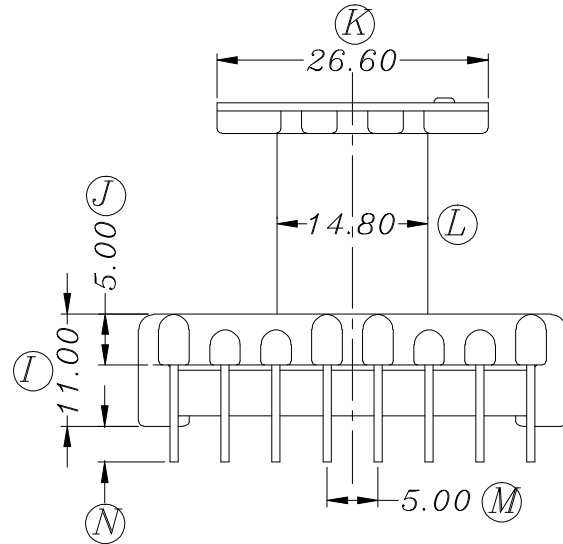
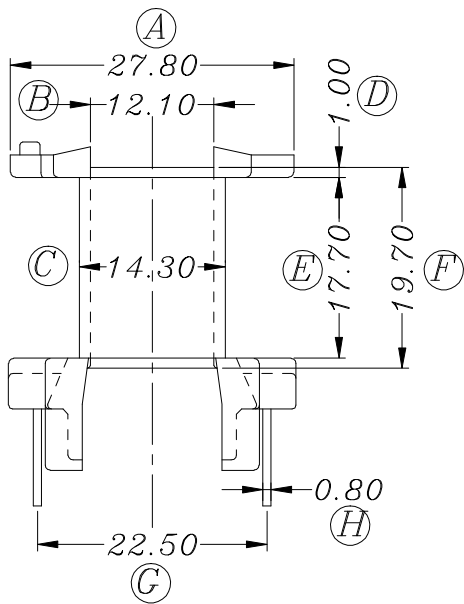


# ZX-40A



REV.	REVISIONS REC.		DATE	REV.	REVISIONS REC.		DATE
1				4			
2				5			
3				6			
DRAWN & DRAFTED BY	LIU WEI QIANG	TOLERANCES		ANGLE:	TITLE: <b>EI-40 (8+8P)</b>		
CHECKED & APPROVED BY	MA BU JIAN	0 < L ≤ 4 ±0.1	pin pitch	UNIT:	BOBBIN MATERIAL:	UL REC.	
		4 < L ≤ 16 ±0.2	±0.2	MM	PHENOLIC	UL 94V-0	
		16 < L ≤ 63 ±0.3		SCALE:	PIN MATERIAL:	PIN TENSION LOAD:	
					CP WIRE	1.2KG MIN.	
<b>智信电子塑胶有限公司</b> ZHI XIN ELECTRONICS PLASTIC CO., LTD. TEL:0769-86389901-2 FAX:0769-86389903				DATE: 2005.09.16	DRAWING NO. ZX-40A		REV. A01