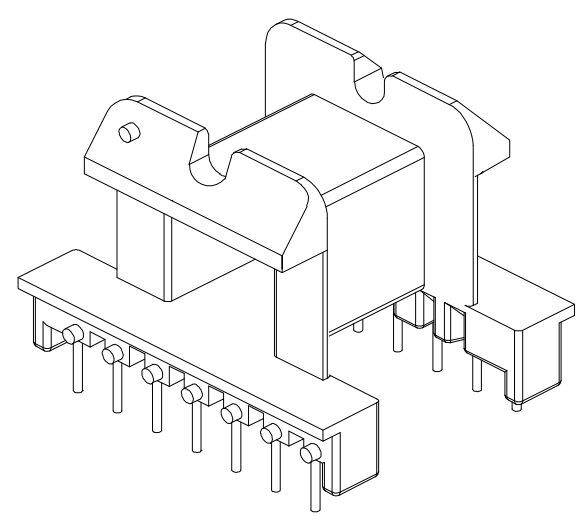
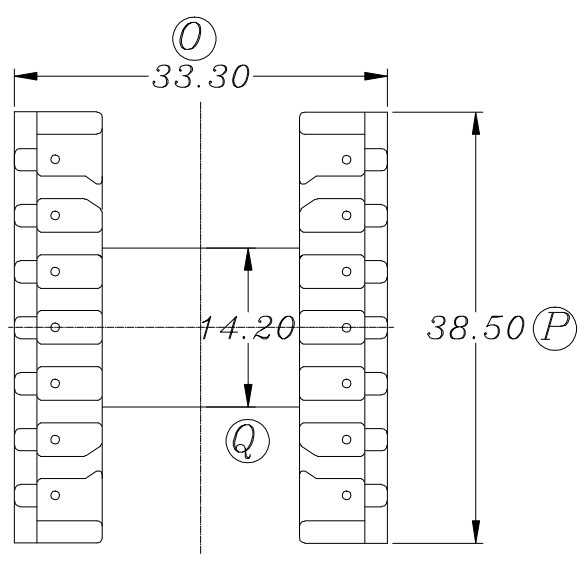
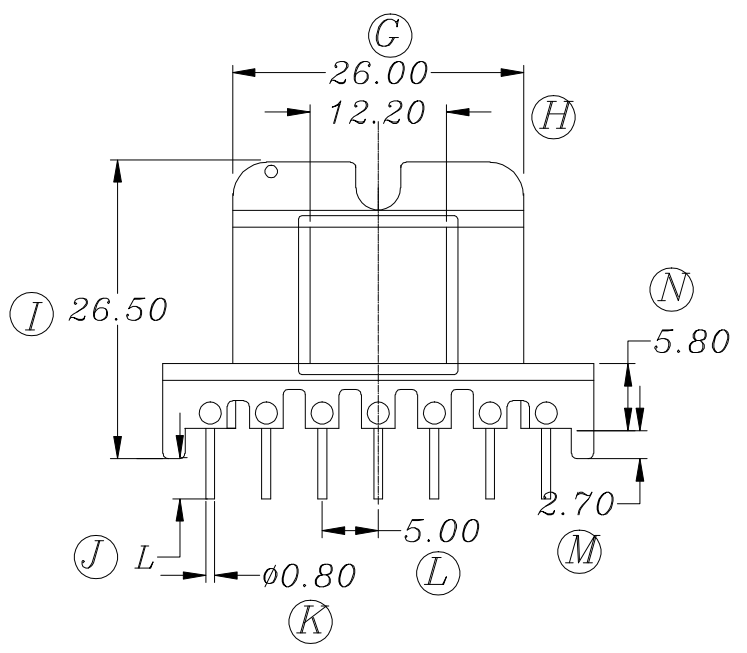
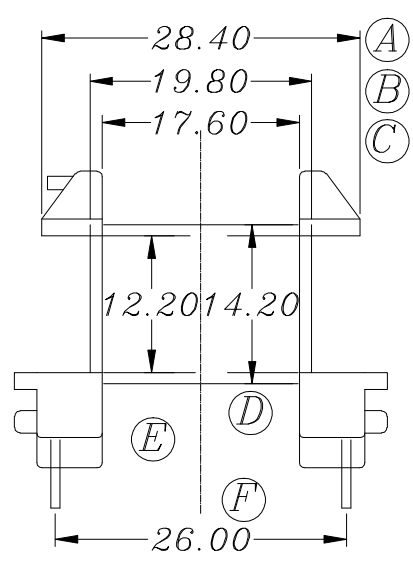

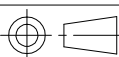


ZX-40T



REV.	REVISIONS REC.		DATE	REV.	REVISIONS REC.		DATE		
1				4					
2				5					
3				6					
DRAWN & DRAFTED BY		LIU WEI QIANG		TOLERANCES		ANGLE: $\pm 1^\circ$		TITLE: EI-40(7+7P)	
CHECKED & APPROVED BY		ZHANG YONG		$0 < L \leq 4 \pm 0.1$ $4 < L \leq 16 \pm 0.2$ $16 < L \leq 63 \pm 0.3$		pin pitch ± 0.2		UNIT: MM	
BOBBIN MATERIAL:		PHENOLIC		PIN MATERIAL:		CP WIRE		UL REC. UL 94V-0	
SCALE:				DATE: 2018.12.08		DRAWING NO. ZX-40T		PIN TENSION LOAD: 1.2KG MIN	
 智信电子塑胶有限公司 ZHI XIN ELECTRONICS PLASTIC CO., LTD. TEL:0769-86389901-2 FAX:0769-86389903								REV. A01	