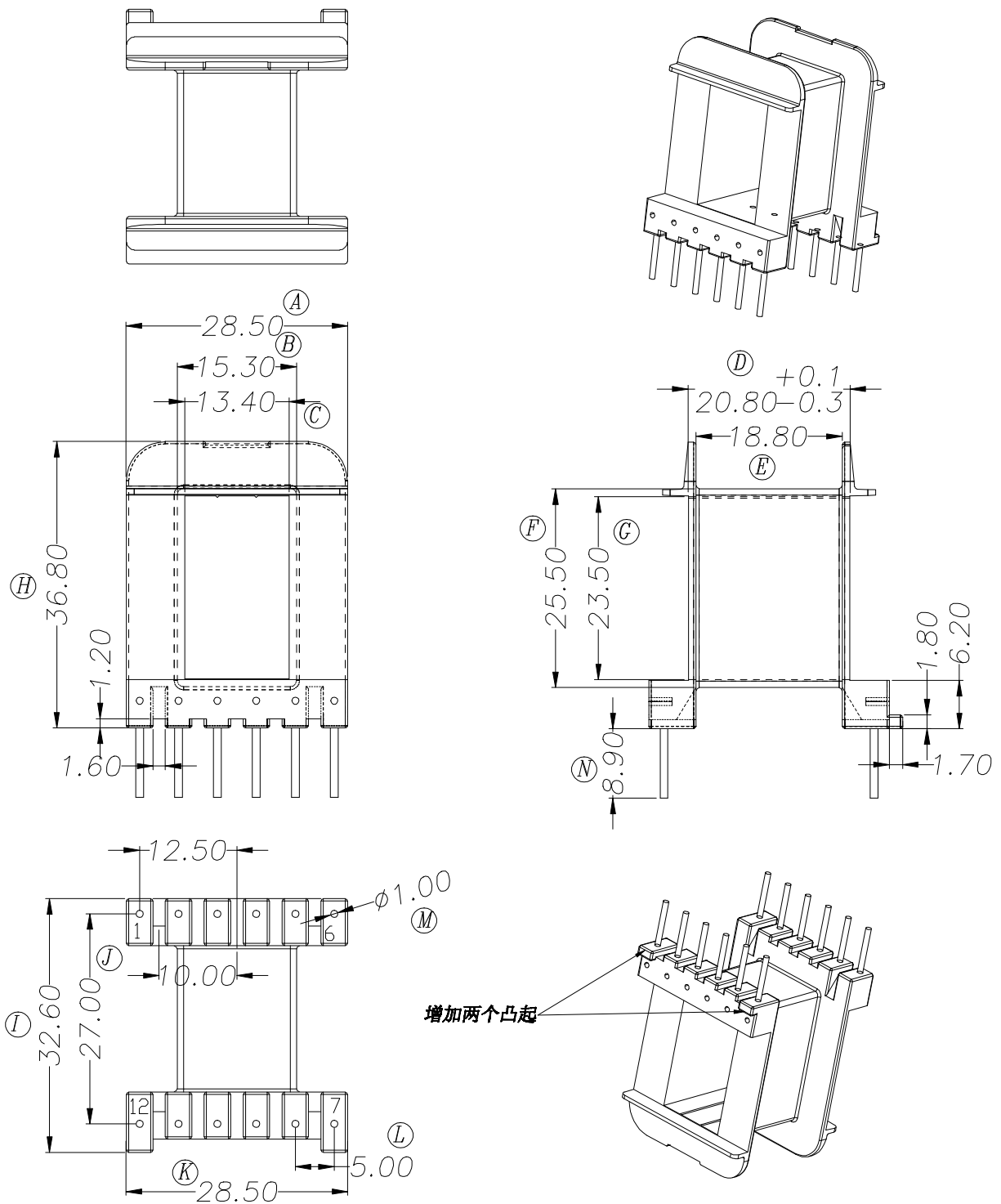


ZX-41D



REV.	REVISIONS REC.		DATE	REV.	REVISIONS REC.		DATE
1				4			
2				5			
3				6			
DRAWN & DRAFTED BY		LIU WEI QIANG		TOLERANCES		ANGLE: $\pm 1^\circ$	
CHECKED & APPROVED BY		LI QI YI		pin pitch ± 0.2		TITLE: EI-41(6+6P)	
		0 < L ≤ 4 ± 0.1		UNIT: MM		BOBBIN MATERIAL: PLASTIC	
		4 < L ≤ 16 ± 0.2		SCALE:		UL REC. UL 94V-0	
		16 < L ≤ 63 ± 0.3		DATE: 2018.04.29		PIN MATERIAL: CP WIRE	
				DRAWING NO. ZX-41D		PIN TENSION LOAD: 1.5KG MIN	
智信电子塑胶有限公司 ZHI XIN ELECTRONICS PLASTIC CO., LTD. TEL: 0769-86389901-2 FAX: 0769-86389903				REV. A01			