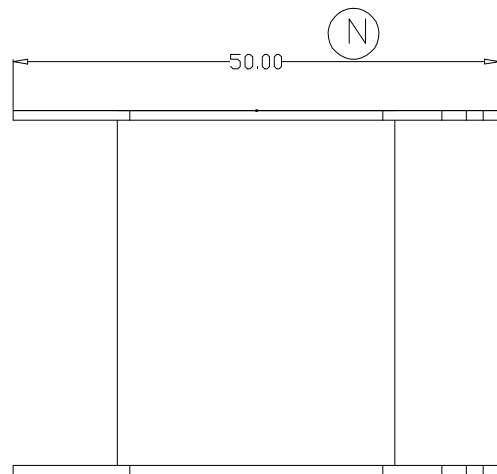
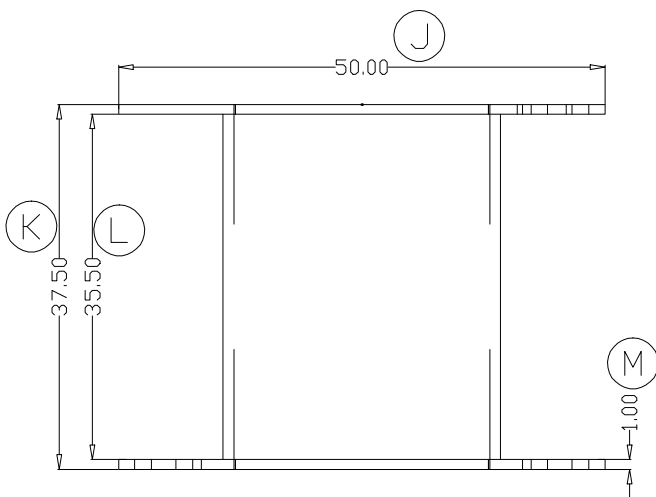
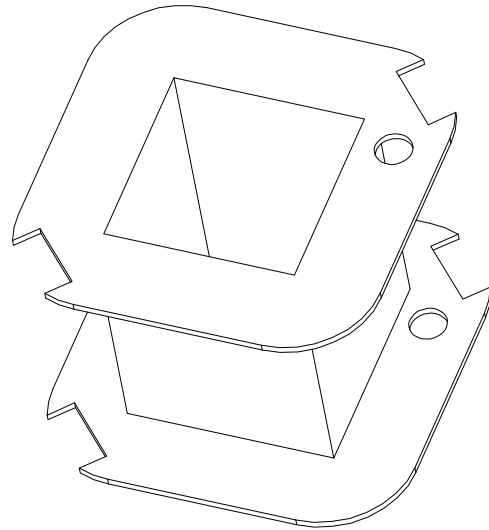
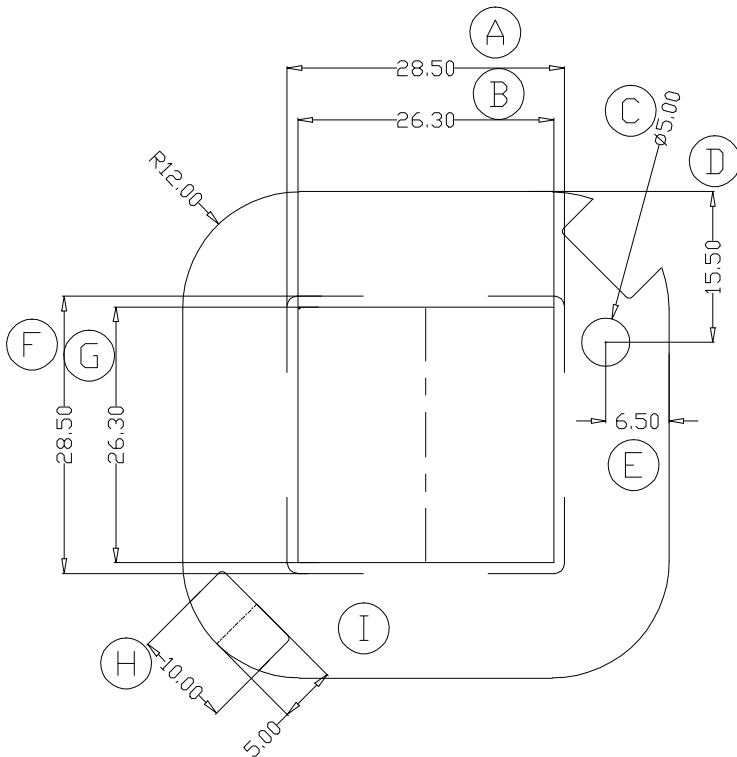


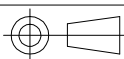
ZX-76A



REV.	REVISIONS REC.		DATE	REV.	REVISIONS REC.		DATE
1				4			
2				5			
3				6			
DRAWN & DRAFTED BY		LIU WEI QIANG		TOLERANCES		ANGLE: $\pm 1^\circ$	
CHECKED & APPROVED BY		MA BU JIAN		pin pitch		TITLE: EI76*26	
				0 < L ≤ 4 ±0.1		BOBBIN MATERIAL: PET	
				4 < L ≤ 16 ±0.2		UL REC. UL 94V-0	
				16 < L ≤ 63 ±0.3		PIN MATERIAL:	
				UNIT: MM		PIN TENSION LOAD:	
				SCALE:			
				DATE: 2014.03.09		DRAWING NO. ZX-76A	
				REV. A01			



**智信电子塑胶有限公司**  
 ZHI XIN ELECTRONICS PLASTIC CO., LTD.  
 TEL: 0769-86389901-2 FAX: 0769-86389903



DATE: 2014.03.09

DRAWING NO. ZX-76A

REV. A01