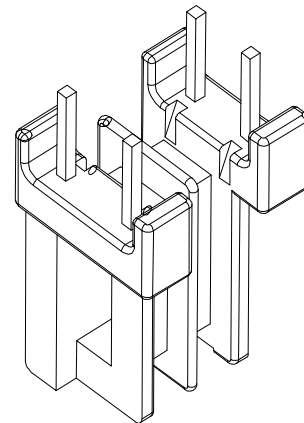
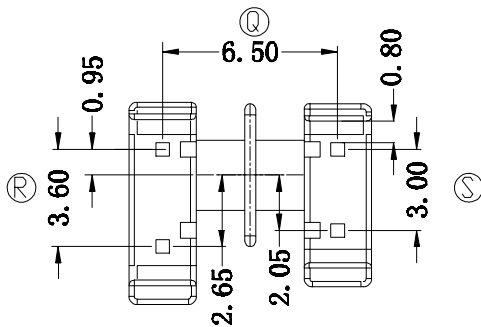
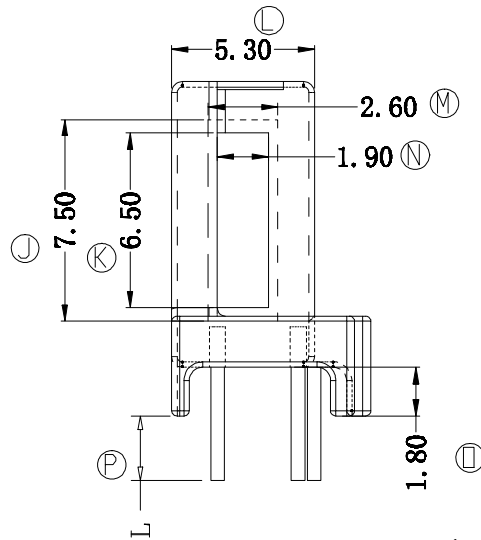
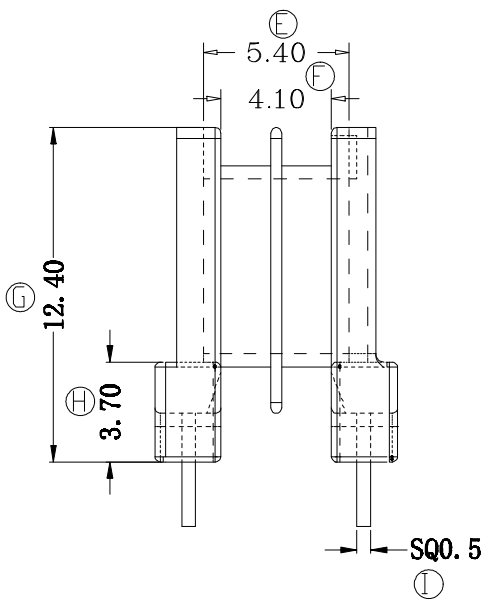
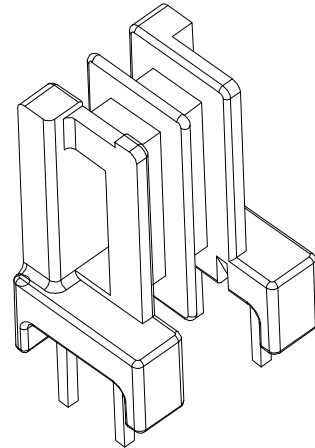
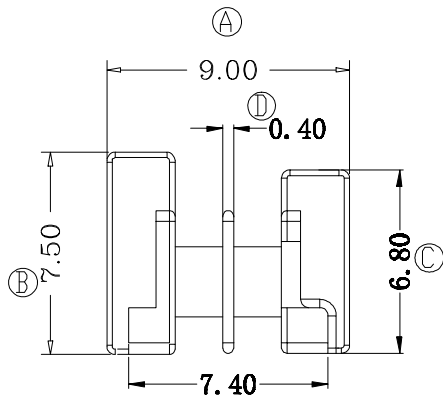

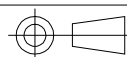


ZX-5H



REV.	REVISIONS REC.	DATE	REV.	REVISIONS REC.	DATE
1			4		
2			5		
3			6		
DRAWN & DRAFTED BY		TOLERANCES		ANGLE: $\pm 1^\circ$	TITLE: UU-5. 5(2+2P) 2S
CHECKED & APPROVED BY	CHENLING	0<L<4 ± 0.1	pin pitch	UNIT: MM	BOBBIN MATERIAL: PHENOLIC
		4<L<16 ± 0.2		SCALE:	UL REC. UL 94V-0
		16<L<63 ± 0.3	± 0.2	DATE: 2017. 07. 12	PIN MATERIAL: CP WIRE
 智信电子塑胶有限公司 ZHI XIN ELECTRONICS PLASTIC CO.,LTD. TEL:0769-86389901-2 FAX:0769-86389903				DRAWING NO. ZX-5H	REV. A01