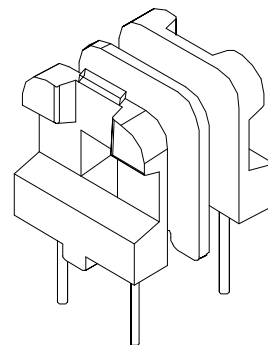
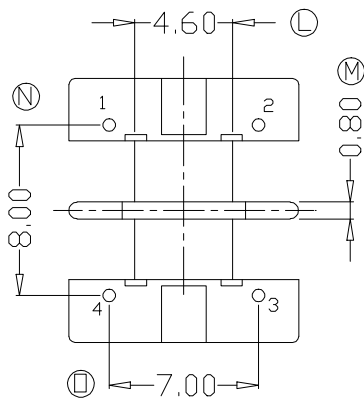
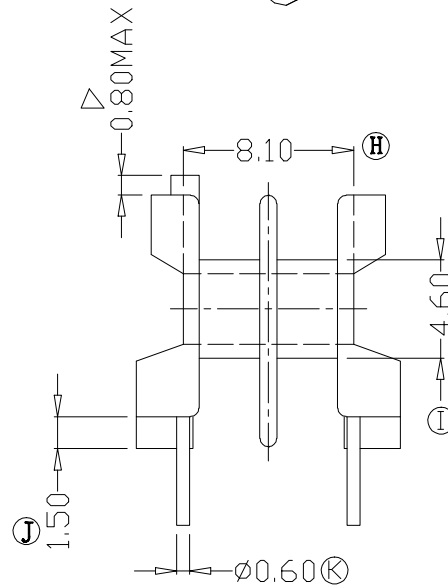
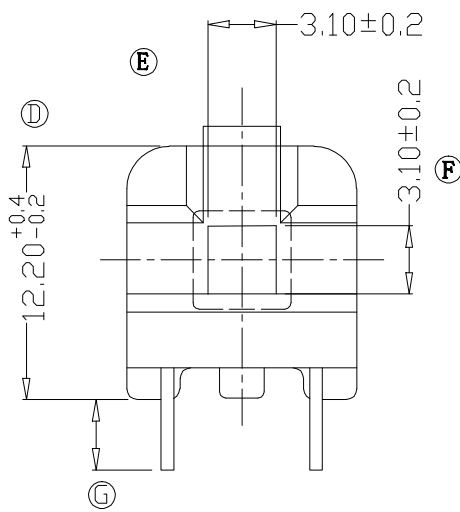
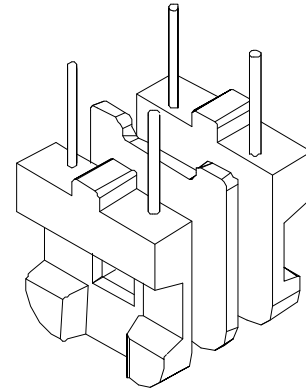
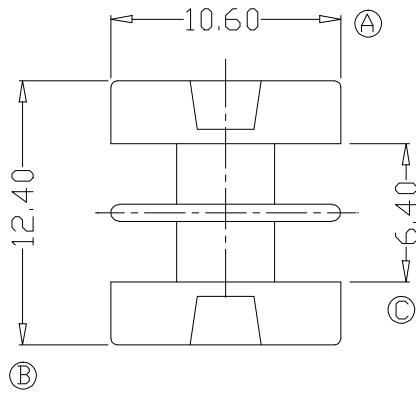


# ZX-9.8A



REV.	REVISIONS REC.	DATE	REV.	REVISIONS REC.	DATE
1	① 此尺寸已之前的12.2±0.2变更为 $\pm 0.4$		4		
2	△ 注此产品水口位置最高为0.8 2015.02.06		5		
3			6		
DRAWN & DRAFTED BY LIU WEI QIANG		TOLERANCES		ANGLE: $\pm 1^\circ$	
CHECKED & APPROVED BY MA BU JIAN		$0 < L \leq 4 \pm 0.1$ $4 < L \leq 16 \pm 0.2$ $16 < L \leq 63 \pm 0.3$		UNIT: MM	
TITLE: UU-9.8(2+2P)2S		SCALE:		BOBBIN MATERIAL: PHENOLIC	
ZXE 智信电子塑胶有限公司		DATE: 2011.06.03		UL REC. UL 94V-0	
ZHI XIN ELECTRONICS PLASTIC CO., LTD.		DRAWING NO. ZX-9.8A		PIN TENSION LOAD: 0.8KG MIN	
TEL:0769-86389901-2 FAX:0769-86389903		REV. A03			